

# 63 A

# 750 V

U MAXI

## DECONTACTOR™ DXN6



MARECHAL ELECTRIC FRANCE

Ex II 2 G D      Ex db eb IIC    T\* Gb  
                         Ex tb IIIC    T\* Db  
\*-40 °C ≤ Ta ≤ +60 °C    T4    T107 °C  
-40 °C ≤ Ta ≤ +40 °C    T5    T87 °C  
IECEx LCI 09.0007X/LCIE 05 ATEX 6150X



IP66  
IP67



6-16 mm<sup>2</sup> (1)  
6-25 mm<sup>2</sup> (2)



GRP



IK09



-40 °C  
+60 °C



AC-22



ATEX



1, 2,  
21, 22

(1) Flexible wiring (min.-max.).  
(2) Stranded wiring (min.-max.).



Other configurations  
on request

### TEMPERATURE RATING

Gas temperature classes	T5 for an ambient T° between -40 °C and +40 °C T4 for an ambient T° between -40 °C and +60 °C
Dust surface temperature classes	Surface T° ≤ 87 °C for an ambient T° between -40 °C and +40 °C Surface T° ≤ 107 °C for an ambient T° between -40 °C and +60 °C

### STANDARDS

International and European IEC/EN standards	60079-0, 60079-1, 60079-7, 60079-31, 60309-1, 60309-4, 60947-3
Protection mode	db eb, tb

### SOCKET-OUTLET

female  
DXN6











INLET male  
DXN6








Each socket outlet  
or inlet must be  
associated with a box,  
a sleeve or a handle.

20-24 V AC	2P	256408A	256808A
220-250 V AC	1P+N+E	2564015	2568015
380-440 V AC	3P+E	2564013	2568013
380-440 V AC	3P+N+E	2564017	2568017
480-500 V AC	3P+E	2564093	2568093
480-500 V AC	3P+N+E	2564097	2568097
550 V AC - Auxiliaries 5 A	+ 2 contacts	Ref. + 972	Ref. + 972

► Other currents, voltages, frequencies and contact configurations are available (see page 14).



OPTIONS	Reference
<b>LOCKING PIN FOR 1 PADLOCK Ø 4 TO 8 mm (PADLOCK NOT SUPPLIED)</b>	
	Socket-outlet ref. +843
<b>SAFETY HASP FOR UP TO 6 PADLOCKS</b>	
	613A541
<b>LARGER RELEASE BUTTON</b>	
	Ref. socket +453
<b>INLET CAP IP66/IP67</b>	
	256A426
<b>IN-LINE CONNECTIONS (A PAIR OF FINGER DRAW PLATES TO AID CLOSING)</b>	
	616A346
<b>180° OPENING LID</b>	
	Ref. socket +10
<b>SELF CLOSING/SELF RETURNING LID</b>	
	Socket-outlet ref.+R
<b>180° OPENING + SELF-RETURNING LID</b>	
	Ref. socket +18
<b>SELF-EJECTION</b>	
	See page 188

HANDLE	Cable outer Ø	Reference
<b>POLY HANDLE WITH GLAND EX POLY</b>		
	10-14 mm	256A757
	12-18 mm	256A753
	16-25 mm	256A25332P
	22-32 mm	256A25340P
<b>POLY HANDLE WITH EX POLY GLAND FOR SELF-EJECTION OPTION</b>		
	12-18 mm	256A463
	16-25 mm	256A44332P
	22-32 mm	256A44340P
<b>STRAIGHT POLY HANDLE WITH METAL CABLE GLAND WITH EARTH CONTINUITY</b>		
	8-10 mm	256A25320M
	12-14 mm	256A25325M
	18-24 mm	256A25332M

WALL BOX	Incline angle	Input/ Cable outer Ø	Reference
<b>WALL BOX POLY WITH EX POLY CABLE GLAND</b>			
	30°	12-18 mm	256AB53
<b>WALL BOX POLY WITHOUT CABLE GLAND</b>			
	30°	M25	256AB53418
<b>WALL BOX POLY WITH EX POLY CABLE GLAND</b>			
	70°	10-14 mm	256AB8820P
	70°	12-18 mm	256AB8825P
160 X 160 mm	70°	16-25 mm	256AB8832P
	70°	22-32 mm	256AB8840P
<b>WALL BOX POLY WITH TERMINAL BLOCKS (IECEX LCIE 16.0042X/LCIE 16 ATEX 3054X)</b>			
	70°	10-14 mm	256A08820P <sup>(1)</sup>
	70°	12-18 mm	256A08825P <sup>(1)</sup>
160 X 160 mm	70°	16-25 mm	256A08832P <sup>(1)</sup>
	70°	22-32 mm	256A08840P <sup>(1)</sup>

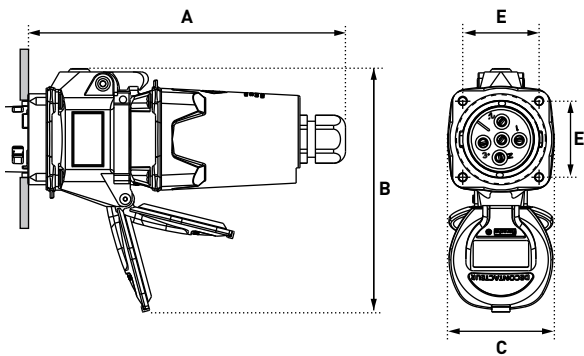
**IN THIS CONFIGURATION**  
 -40 °C ≤ Ta ≤ +55 °C T4 T105° C  
 -40 °C ≤ Ta ≤ +50 °C T5 T95 °C

1. Delivered with two predrilled entries fitted with 1 cable gland and 1 stopping plug, 8+2 terminals up to 16 mm² with 16 mm² wires. Wiring : 6-16 mm². For other configurations, contact us.

SLEEVE	Incline angle	Reference
<b>INCLINED POLY SLEEVE</b>		
	30°	256A027
	70°	256A757

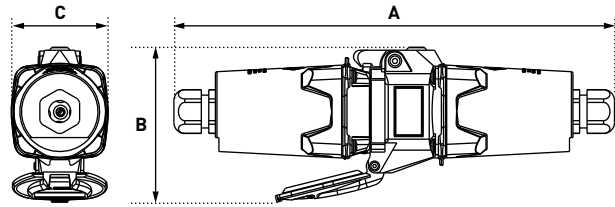
# DRAWINGS AND DIMENSIONS

**PLUG ON SOCKET-OUTLET**



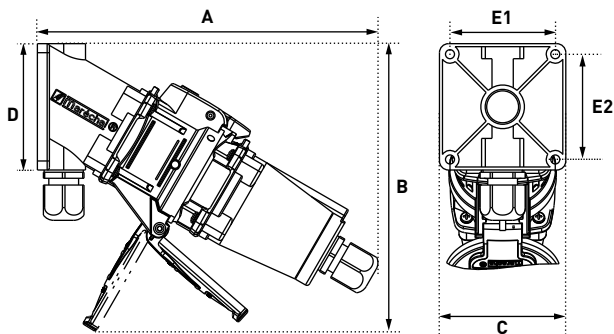
A	B	C	E
218	195	84	55

**COUPLER**



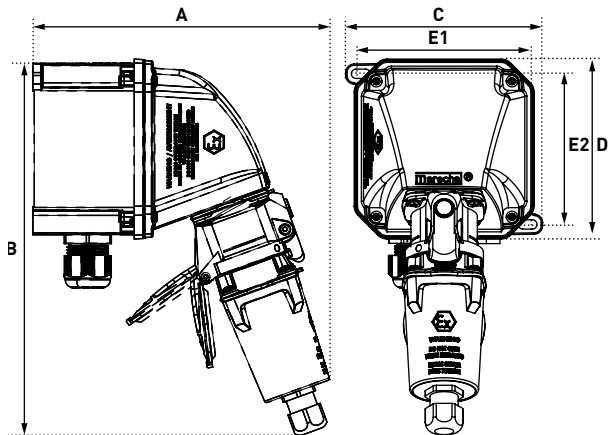
A	B	C
350	84	122

**PLUG ON 30° WALL MOUNTED SOCKET OUTLET**



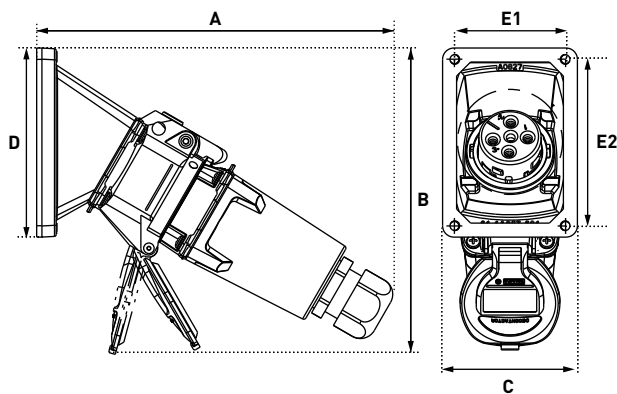
A	B	C	D	E1	E2
265	225	89	100	77	89

**PLUG ON 70° WALL-MOUNTED SOCKET-OUTLET**



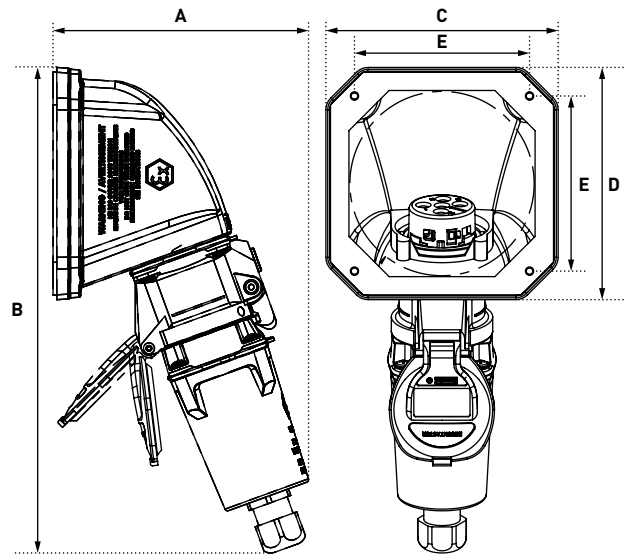
A	B	C	D	E1	E2
244	341	175	166	157	145.5

**PLUG ON 30° INCLINED SOCKET-OUTLET**



A	B	C	D	E1	E2
239	219	77	108	64	96

**PLUG ON 70° INCLINED SOCKET-OUTLET**



A	B	C	D	E
175	341	166	166	135

