

32 A

750 V

U MAXI

DECONTACTOR™ DXN3



MARECHAL ELECTRIC FRANCE

| | | |
|--------------------------------------|--------------|--------|
| Ex II 2 G D | Ex db eb IIC | T* Gb |
| | Ex tb IIIC | T* Db |
| *-40 °C ≤ Ta ≤ +60 °C | T5 | T77 °C |
| -40 °C ≤ Ta ≤ +40 °C | T6 | T57 °C |
| IECEX LCI09.0006X/LCIE 05 ATEX 6149X | | |



IP66
IP67



2,5-10 mm² (1)
2,5-16 mm² (2)



GRP



IK09



-40 °C
+60 °C



AC-22



ATEX



1, 2,
21, 22

(1) Flexible wiring (min.-max.).
(2) Stranded wiring (min.-max.).



Other configurations
on request

TEMPERATURE RATING

| | |
|----------------------------------|--|
| Gas temperature classes | T6 for an ambient T° between -40 °C and +40 °C |
| | T5 for an ambient T° between -40 °C and +60 °C |
| Dust surface temperature classes | Surface T° ≤ 57 °C for an ambient T° between -40 °C and +40 °C |
| | Surface T° ≤ 77 °C for an ambient T° between -40 °C and +60 °C |

STANDARDS

| | |
|---|--|
| International and European IEC/EN standards | 60079-0, 60079-1, 60079-7, 60079-31, 60309-1, 60309-4, 60947-3 |
| Protection mode | db eb, tb |

SOCKET-OUTLET

female
DXN3













INLET male
DXN3







Each socket outlet
or inlet must be
associated with a box,
a sleeve or a handle.

| | | | |
|----------------------------|--------------|------------|------------|
| 20-24 V AC | 2P | 253408A | 253808A |
| 220-250 V AC | 1P+N+E | 2534015 | 2538015 |
| 380-440 V AC | 3P+E | 2534013 | 2538013 |
| 380-440 V AC | 3P+N+E | 2534017 | 2538017 |
| 480-500 V AC | 3P+E | 2534093 | 2538093 |
| 480-500 V AC | 3P+N+E | 2534097 | 2538097 |
| 550 V AC - Auxiliaries 5 A | + 2 contacts | Ref. + 972 | Ref. + 972 |


► Other currents, voltages, frequencies and contact configurations are available (see page 14).

| OPTIONS | Reference |
|---|-------------------------|
| LOCKING PIN FOR 1 PADLOCK Ø 4 TO 8 mm (PADLOCK NOT SUPPLIED) | |
|  | Socket-outlet ref. +843 |
| SAFETY HASP FOR UP TO 6 PADLOCKS | |
|  | 613A541 |
| LARGER RELEASE BUTTON | |
|  | Ref. socket +453 |
| INLET CAP IP66/IP67 | |
|  | 253A426 |
| IN-LINE CONNECTIONS (A PAIR OF FINGER DRAW PLATES TO AID CLOSING) | |
|  | 613A346 |
| 180° OPENING LID | |
|  | Ref. socket +10 |
| SELF CLOSING/SELF RETURNING LID | |
|  | Socket-outlet ref.+R |
| 180° OPENING + SELF-RETURNING LID | |
|  | Ref. socket +18 |
| COMPATIBILITY WITH DSN SOCKET-OUTLET (INDUSTRIAL RANGE) | |
|  | Contact us. |
| SELF-EJECTION | |
|  | See page 188 |

| HANDLE | Cable outer Ø | Reference |
|---|---------------|------------|
| POLY HANDLE WITH GLAND EX POLY | | |
|  | 10-14 mm | 253A753 |
| | 12-18 mm | 253A783 |
| | 16-25 mm | 253A25332P |
| | 22-32 mm | 253A25340P |
| POLY HANDLE WITH EX POLY GLAND FOR SELF-EJECTION OPTION | | |
|  | 10-14 mm | 253A463 |
| | 12-18 mm | 253A44325P |
| | 16-25 mm | 253A44332P |
| STRAIGHT POLY HANDLE WITH METAL CABLE GLAND WITH EARTH CONTINUITY | | |
|  | 8-10 mm | 253A25320M |
| | 12-14 mm | 253A25325M |
| | 18-24 mm | 253A25332M |

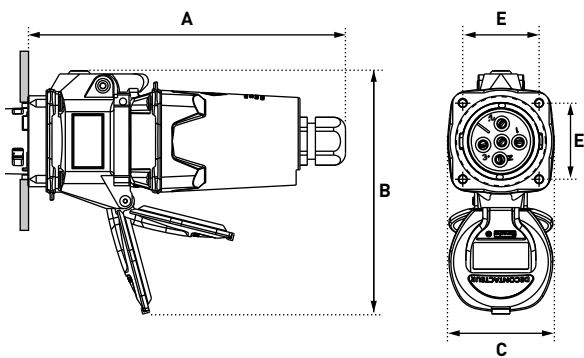
| WALL BOX | Incline angle | Input/ Cable outer Ø | Reference |
|--|---------------|-------------------------|---------------------------|
| WALL BOX POLY WITH EX POLY CABLE GLAND | | | |
|  | 30° | 10-14 mm | 253AB53 |
| | 30° | 12-18 mm | 253AB5325P |
| WALL BOX POLY WITHOUT CABLE GLAND | | | |
|  | 30° | M20 | 253AB53417 |
| | 30° | M25 | 253AB53418 |
| WALL BOX POLY WITH EX POLY CABLE GLAND | | | |
|  | 70° | 10-14 mm | 253AB8820P |
| | 70° | 12-18 mm | 253AB8825P |
| | 70° | 16-25 mm | 253AB8832P |
| 120 X 120 mm | | | |
| WALL BOX POLY WITH TERMINAL BLOCKS (IECEx LCIE 16.0042X/LCIE 16 ATEX 3054X) | | | |
|  | 70° | 10-14 mm | 253A08820P ⁽¹⁾ |
| | 70° | 12-18 mm | 253A08825P ⁽¹⁾ |
| 120 X 120 mm | | | |

1. Delivered with two predrilled entries fitted with 1 cable gland and 1 stopping plug. 8+2 terminals up to 10 mm² with 6 mm² wires. Wiring : 2.5-10 mm². For other configurations, contact us.

| SLEEVE | Incline angle | Reference |
|---|---------------|-----------|
| INCLINED POLY SLEEVE | | |
|  | 30° | 253A027 |
| | 70° | 253A757 |

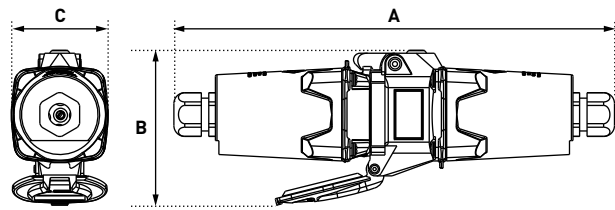
DRAWINGS AND DIMENSIONS

PLUG ON SOCKET-OUTLET



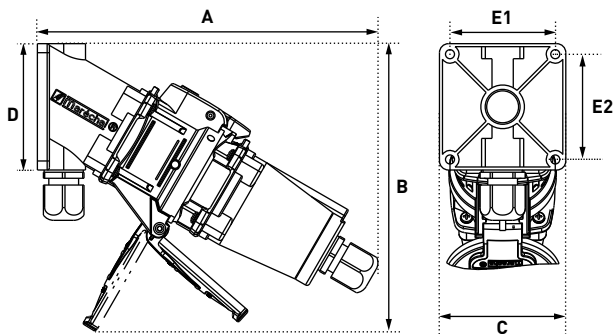
| A | B | C | E |
|-----|-----|----|----|
| 190 | 171 | 77 | 48 |

COUPLER



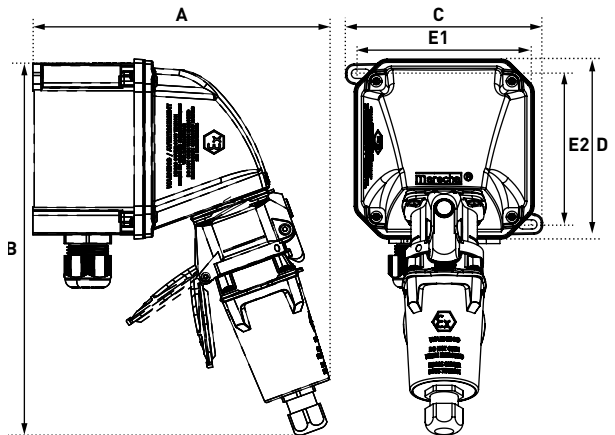
| A | B | C |
|-----|----|-----|
| 304 | 71 | 118 |

PLUG ON 30° WALL MOUNTED SOCKET OUTLET



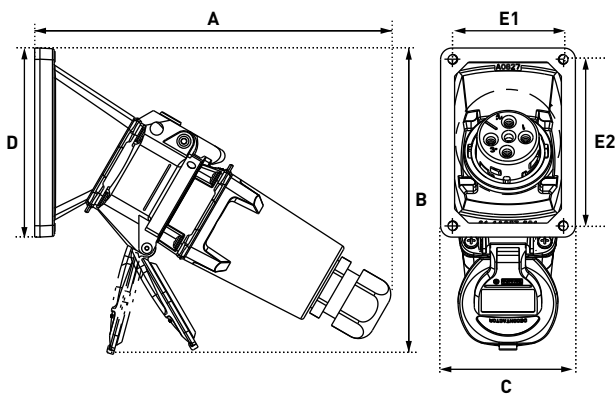
| A | B | C | D | E1 | E2 |
|-----|-----|----|----|----|----|
| 226 | 191 | 84 | 84 | 71 | 71 |

PLUG ON 70° WALL-MOUNTED SOCKET-OUTLET



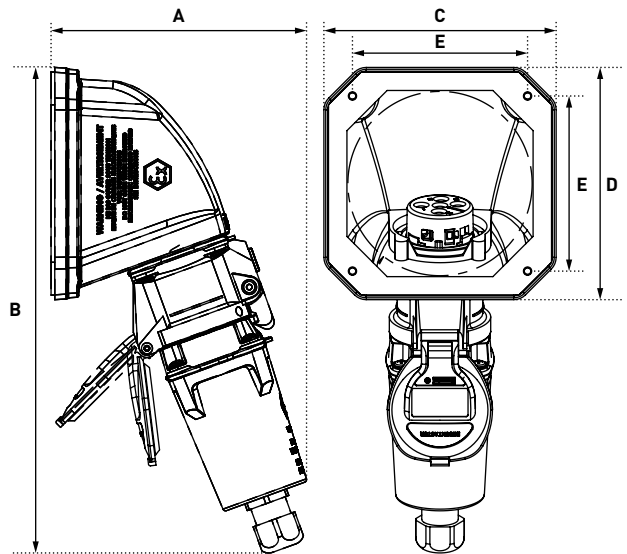
| A | B | C | D | E1 | E2 |
|-----|-----|-----|-----|-----|-------|
| 208 | 264 | 138 | 126 | 117 | 105.5 |

PLUG ON 30° INCLINED SOCKET-OUTLET



| A | B | C | D | E1 | E2 |
|-----|-----|----|-----|----|----|
| 201 | 204 | 77 | 108 | 64 | 96 |

PLUG ON 70° INCLINED SOCKET-OUTLET



| A | B | C | D | E |
|-----|-----|-----|-----|----|
| 148 | 275 | 126 | 126 | 95 |

