

AL105NX Alarm Horn Sounder & Xenon Strobe Beacon

The AL105NX is the industry standard for combined audible and visual signalling. The high output 113dB(A) alarm horn sounder is combined with a 5 Joule, 200cd Xenon strobe beacon. CPR complaint, EN54-3 & EN54-23 tested and UL/cUL approved. Featuring 64 alarm tone frequencies and 4 remotely activated stages/channels.

Globally approved for fire, marine and general applications the low current consumption and high SPL in a robust fire retardant enclosure ensure the AL105NX is suitable for all signalling applications including fire, security and process control. The alarm horn sounder & Xenon strobe beacon may be connected from a single or separate supplies for simultaneous or independent operation.

Features

- Automatic synchronisation
- Continuously rated
- Dual M20x1.5mm threaded cable entries - adaptors available
- Duplicate pluggable cable terminations - Class A
- Ingress protection IP66 Type 4/4X/13/3R
- 64 alarm tone frequencies and 4 remotely activated alarm stages
- Available with custom tone configurations and frequencies
- Diode polarized for use in supervised circuits

Approvals

- UL: UL464 & UL1638A
- cUL: CSA C22.2 No 205-17
- UL EU: (EN54-3 & EN54-23) UL-EU-01154-CPR
- CPR 305/2011: 2821-CPR-0109
- MED 2020/1170: MEDB000074G
- DNV GL-CG-0339: TAA00002ZU
- EAC CU TR 043/2017: B.00291/21
- EAC: RU D-GB.GA05.B.12595-20
- RMRS Marine: No. 19.00193.278
- CE, UKCA



Specification

Alarm Horn:

Maximum output: 113dB(A) @ 1 m ±3dB [104dB(A) @ 10ft/3m ±3dB]

Nominal output: 106dB(A) @ 1m ±3dB [97dB(A) @ 10ft/3m ±3dB]

No. of tones: 64 (UK00A / PFEER compliant)

No. of stages: 4

Volume control: -12dB(A) tone dependent

Effective range: 58m/190ft @ 1KHz

In rush: 636mA within 4.0ms @ 24Vdc

Stage switching: Negative (common positive)

Xenon Strobe:

Energy: 5 Joules(5Ws)

Flash rate: 1Hz (60 fpm)
DC units: 1.5Hz (90 fpm) & Double strike

Peak Candela: 500,000 cd – calculated from energy (J)

Effective cd: 250 cd – calculated from energy (J)

Peak Candela: 86,935 cd* – measured ref. to I.E.S.

Effective cd: 200 cd* – measured ref. to I.E.S.

Tube life: Emissions may reduce to 70% after 8 million flashes

General:

Ingress protection: IP66 Type 4/4X/13/3R

Enclosure: High impact UL94 V0 & 5VA FR ABS/PC

Lens colour filter: Field replaceable UV stable PC

Terminals: 0.5 – 2.5mm² (20-14 AWG)

Line monitoring: Diode polarized for use in supervised circuits

Operating: -40 to +66°C [-40° to +151°F]

Storage: -40 to +70°C [-40° to +158°F]

Relative humidity: 95% at 20°C [68°F]

Vibration test: 35Hz for a duration 4Hr (UL464/UL1638)

Jarring test: 3ft/lb Energy (UL464/UL1638)

Impact test: 3x 5lb (UL464/UL1638)

MTBF DC: 114.79 years / 1,005,530 hours – MIL 217

MTBF AC: 86.29 years / 755,857 hours – MIL 217

Weight DC: 0.95kg / 2.10lbs

Weight AC: 1.20kg / 2.64lbs

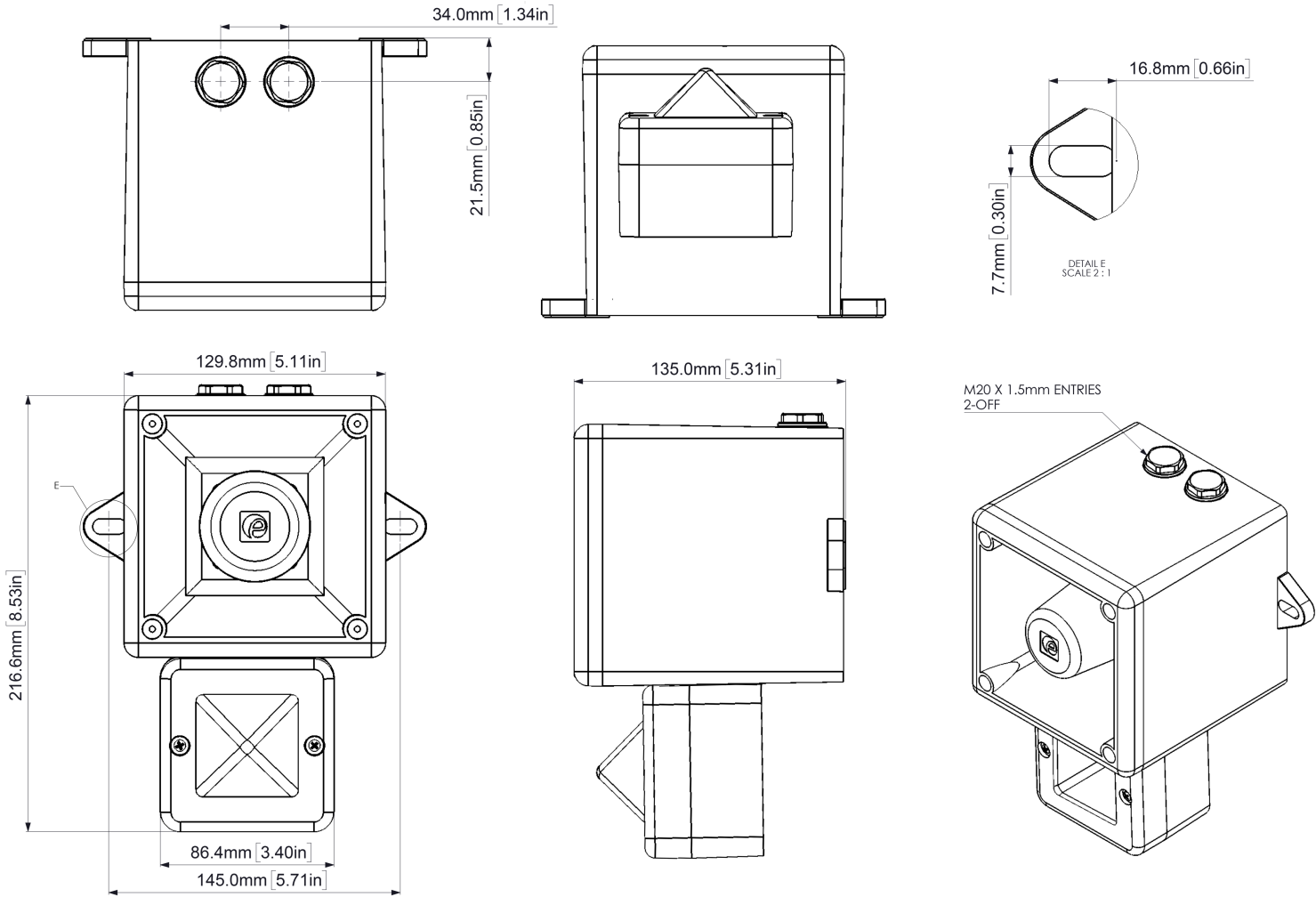
Part Codes

Variable: Identifier: Description:

Product type:	AL105NX	Combined alarm horn sounder & Xenon strobe
Voltage:	DC012	12Vdc (11.5-14Vdc)
	DC024	24Vdc (20-28Vdc)
	DC048	48Vdc (42-54Vdc)
	AC024	24Vac 50/60Hz
	AC048	48Vac 50/60Hz
	AC115	115Vac 50/60Hz
AC230	230Vac 50/60Hz	
Back box/cable entries: [e]	A	Back box with mounting lugs – 2 x M20x1.5mm entries
	B	Back box with mounting lugs – 2 x 1/2"NPT (adaptors)
Stopping plug material: [m]	A	ABS
Equip. tag/Duty label: [s]	0	No equip. tag or Duty label
	1	316 (A4) St/St Equip. tag/Duty label
	2	Metalised Polyester Equip. tag/Duty label
Product version: [v]	A	UL/cUL, CPR, MED, DNV, RMRS, EAC, CE, UKCA
Product option: [o]	1	Standard product
	X	Custom configuration – contact E2S
	Z	Custom alarm tone software – contact E2S
Enclosure: [x]	R	Red (RAL 3000)
	G	Grey (RAL 7038)
Lens colour: [y]	A	Amber
	B	Blue
	C	Clear
	G	Green
	M	Magenta
	R	Red
Y	Yellow	

Current Consumption

Product Version:	Nominal Voltage:	Voltage Range:	Beacon Current:	Horn Current:
DC012	12Vdc	11.5-14Vdc	341mA	17mA
DC024	24Vdc	20-28Vdc	250mA	33.5mA
DC048	48Vdc	42-54Vdc	170mA	113mA
AC024	24Vac	24-28Vac 50/60Hz	300mA	42.5mA
AC048	48Vac	±10% 50/60Hz	250mA	42.5mA
AC115	115Vac	±10% 50/60Hz	70mA	25mA
AC230	230Vac	±10% 50/60Hz	35mA	17mA



Tone table

S 1	Description	S 2	S 3	S 4
T 1	1000 Continuous - PFEER Toxic Gas	T 3	T 2	T 44
T 2	1200/500 @ 1Hz Sweeping - DIN / PFEER P.T.A.P.	T 1	T 3	T 44
T 3	1000 @ 0.5Hz (1s on, 1s off) Intermittent - P...	T 1	T 2	T 44
T 4	1.4KH-1.6KHz 1s, 1.6KHz-1.4KHz 0.5s - NF C 48...	T 44	T 24	T 1
T 5	544(100mS)/440 (400mS) - NF S 32-001	T 52	T 19	T 1
T 6	1500/500 - (0.5s on , 0.5s off) x3 + 1s gap - ...	T 7	T 44	T 1
T 7	500-1500Hz Sweeping 2 sec on 1 sec off - AS4428	T 6	T 44	T 1
T 8	500/1200Hz @ 0.26Hz(3.3s on, 0.5s off) - NEN ...	T 44	T 24	T 35
T 9	1000 (1s on, 1s off)x7 + (7s on, 1s off) - IM...	T 18	T 34	T 1
T 10	1000 (1s on, 1s off)x7 + (7s on, 1s off) - IM...	T 21	T 34	T 1
T 11	420(0.5s on, 0.5s off)x3 + 1s gap - ISO 8201 ...	T 44	T 1	T 8
T 12	1000(0.5s on, 0.5s off)x3 + 1s gap - ISO 8201...	T 44	T 1	T 8
T 13	422/775 - (0.85 on, 0.5 off) x3 + 1s gap - ...	T 44	T 1	T 8
T 14	1000/2000 @ 1Hz - Singapore	T 23	T 3	T 35
T 15	300 Continuous	T 44	T 24	T 35
T 16	440 Continuous	T 44	T 24	T 35
T 17	470 Continuous	T 44	T 24	T 35
T 18	500 Continuous - IMO code 2 (Low)	T 44	T 24	T 35
T 19	554 Continuous	T 64	T 24	T 35
T 20	660 Continuous	T 44	T 24	T 35
T 21	800 Continuous - IMO code 2 (High)	T 44	T 24	T 35
T 22	1200 Continuous	T 44	T 24	T 35
T 23	2000 Continuous	T 15	T 3	T 35
T 24	2400 Continuous	T 48	T 20	T 35
T 25	440 @ 0.83Hz (0.60s on, 0.60s off) Intermittent	T 1	T 44	T 8
T 26	470 @ 0.9Hz (0.55s on, 0.55s off) Intermittent	T 1	T 44	T 8
T 27	470 @ 5Hz (0.10s on, 0.10s off) Intermittent	T 1	T 44	T 8
T 28	544 @ 1.14Hz (0.43s on, 0.44s off) Intermittent	T 44	T 24	T 8
T 29	655 @ 0.875Hz (0.57s on, 0.57s off) Intermittent	T 1	T 44	T 8
T 30	660 @ 0.28Hz (1.80s on, 1.80s off) Intermittent	T 44	T 24	T 8
T 31	660 @ 3.3Hz (0.15s on, 0.15s off) Intermittent	T 30	T 24	T 8
T 32	745 @ 1Hz (0.50s on, 0.50s off) Intermittent	T 44	T 24	T 8

S 1	Description	S 2	S 3	S 4
T 33	800 (0.25s on, 1.00s off) Intermittent	T 53	T 24	T 8
T 34	800 @ 2Hz (0.25s on, 0.25s off) - IMO code 3...	T 56	T 24	T 8
T 35	1000 @ 1Hz (0.50s on, 0.50s off) Intermittent	T 44	T 24	T 8
T 36	2400 @ 1Hz (0.50s on, 0.50s off) Intermittent	T 21	T 24	T 8
T 37	2900 @ 5Hz (0.10s on, 0.10s off) Intermittent	T 53	T 24	T 8
T 38	363/518 @ 1Hz (0.50s / 0.50s) Alternating	T 1	T 8	T 19
T 39	450/500 @ 2Hz (0.25s / 0.25s) Alternating	T 1	T 8	T 19
T 40	554/440 @ 1Hz (0.50s / 0.50s) Alternating	T 44	T 24	T 19
T 41	554/440 @ 0.65Hz (0.76s / 0.76s) Alternating	T 1	T 8	T 19
T 42	561/760 @ 0.83Hz (0.60s / 0.60s) Alternating	T 1	T 8	T 19
T 43	780/600 @ 0.96Hz (0.52s / 0.52s) Alternating	T 1	T 8	T 19
T 44	800/1000 @ 2Hz (0.25s / 0.25s) Alternating	T 5	T 24	T 19
T 45	970/800 @ 2Hz (0.25s / 0.25s) Alternating	T 1	T 8	T 19
T 46	800/1000 @ 0.875Hz (0.57s / 0.57s) Alternating	T 53	T 24	T 19
T 47	2400/2900 @ 2Hz (0.25s / 0.25s) Alternating	T 57	T 24	T 19
T 48	500/1200 @ 0.3Hz (1.67s / 1.67s) Sweeping	T 44	T 24	T 12
T 49	560/1055 @ 0.18Hz (2.73s / 2.73s) Sweeping	T 44	T 24	T 12
T 50	560/1055 @ 3.3Hz (0.15s / 0.15s) Sweeping	T 44	T 24	T 12
T 51	600/1250 @ 0.125Hz (4s / 4s) Sweeping	T 44	T 24	T 12
T 52	660/1200 @ 1Hz (0.50s / 0.50s) Sweeping	T 64	T 24	T 12
T 53	800/1000 @ 1Hz (0.50s / 0.50s) Sweeping	T 56	T 24	T 12
T 54	800/1000 @ 7Hz (0.07s / 0.07s) Sweeping	T 57	T 24	T 12
T 55	800/1000 @ 50Hz (0.01s / 0.01s) Sweeping	T 54	T 24	T 12
T 56	2400/2900 @ 7Hz (0.07s / 0.07s) Sweeping	T 57	T 24	T 12
T 57	2400/2900 @ 1Hz (0.50s / 0.50s) Sweeping	T 47	T 24	T 12
T 58	2400/2900 @ 50Hz (0.01s / 0.01s) Sweeping	T 54	T 24	T 12
T 59	2500/3000 @ 2Hz (0.25s / 0.25s) Sweeping	T 44	T 24	T 12
T 60	2500/3000 @ 7.7Hz (0.65s / 0.65s) Sweeping	T 44	T 24	T 12
T 61	800Hz Motor Siren	T 44	T 24	T 12
T 62	1200Hz Motor Siren	T 44	T 24	T 12
T 63	2400Hz Motor Siren	T 44	T 24	T 12
T 64	Simulated Bell	T 44	T 21	T 12