

9.11.2016

Instructions for Safe Use



Thank you for choosing Slam[®] Protector for your job site. Purpose of this manual is to provide you all the necessary safety and product information to conduct your job conveniently and without any risks for health and safety.



Contents

Instructions for Safe Use.....	1
1. Introduction to Slam® Protector	3
1.1 Technical data.....	3
1.2 Product description.....	3
1.3 Install instruction.....	4
1.4 Restrictions	4
2. Inspection & Maintenance.....	5
2.1 After use.....	5
2.2 Maintenance.....	5
Helpdesk	8

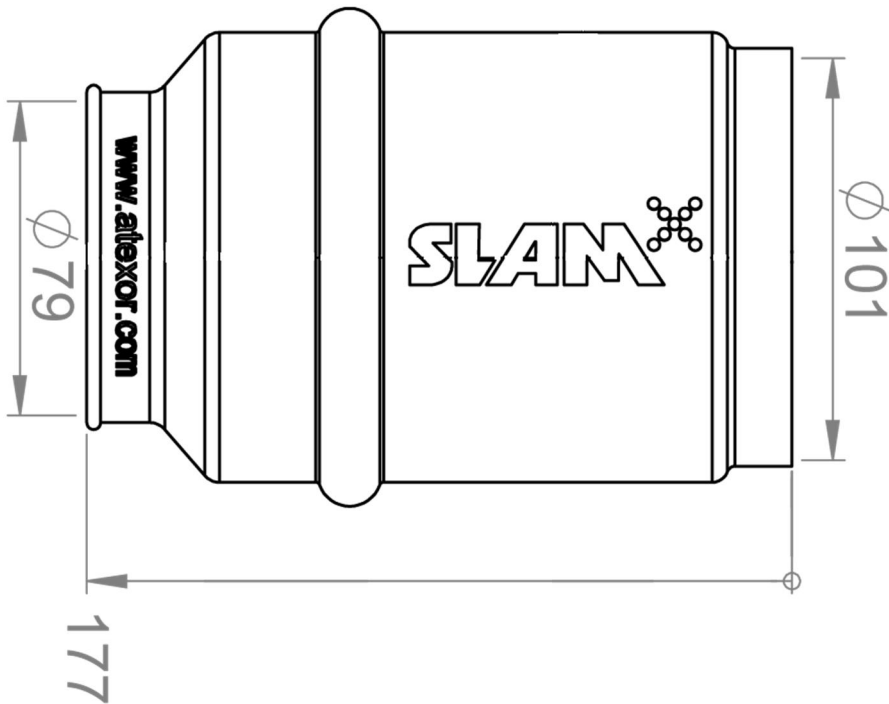
1. Introduction to Slam[®] Protector

This instruction manual guides you through the process of selecting and adopting Slam[®] Protector at your work site.

1.1 Technical data

Slam[®] Protector (later protector)

Dimensions [mm]:



1.2 Product description

The Slam[®] Protector has been designed and tested for portable use in EX-hazardous conditions.

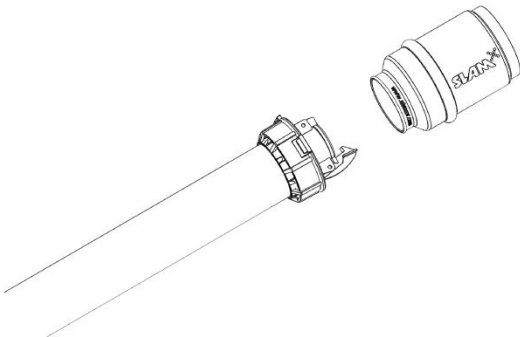
Protector is made of dissipative rubber with surface resistance less than 1 Gohm.

1.3 Install instruction

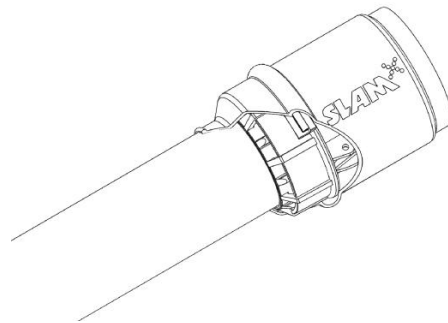
Easiest installation is in the ambient room temperature. Cold temperatures may affect the elasticity of the rubber compound. If it seems difficult to stretch the protector on outside ambient temperatures, consider moving to indoors and allow the protector to warm up.

Position the SLAM[®] Protector so that the narrow end is pointing towards the either end of the luminaire. Picture 1.

Stretch the narrow end of the protector over the luminary end part and slide the protector in place. Protector is correctly installed when the narrow end fits snugly over the luminary PC-tube and the ridge on the protector is positioned over the luminary end part. Pictures 2 and 3.



Picture 1.



Picture 2.



Picture 3.

1.4 Restrictions

There are no restrictions for use on SLAM[®] luminaries when equipped with SLAM[®] Protector.

2. Inspection & Maintenance

2.1 After use

Observe the condition of the protector. If it is damaged or dirty, replace the protector with a new one if necessary.

2.2 Maintenance

The SLAM[®] Protector does not have components which are intended to be repaired. In case of damaged component of the system, please replace the damaged unit with a new one.

Helpdesk

Under any doubt or question, please contact your local distributor or the manufacturer.

Contact details:



P.O.B 89, FIN-60101 SEINÄJOKI, FINLAND

Phone: +358 20 734 3250

Fax: +358 20 734 3299

Email: info@atexor.com

Web: <http://www.atexor.com>

