

MAIN FEATURES

Rated current (with wiring according to standard)	400 A	Flexible wiring (min-max)	95-150 mm ²
Maximum voltage	1 000 V	Stranded wiring (min-max)	95-185 mm ²
Protection	IP54 (optional IP66/67)	Connector only: not to be disconnected while energised	
Shock resistance	IK09	Pilot contacts 5 A/400 V AC for electrical interlock	2
Ambient temperature	-40 °C to +60 °C	Mechanical interlock	as standard
Keying positions	12	Inlet closing device in stainless steel	as standard

SOCKET-OUTLET female DS4 (400 A)



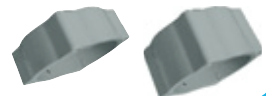
INLET male DS4 (400 A)



380-440 V AC	3P+E+ 2pil.	3944013	3948013
660-690 V AC	3P+E+ 2pil.	3944193	3948193
1 000 V AC	3P+E+ 2pil.	3944223	3948223

REMEMBER TO ORDER AN OPTIONAL SPACER

Creates more space for easier wiring,
 thickness 68 mm : 577M0-68,
 thickness 115 mm : 577M0-115.



INFO+









OPTIONS AND ACCESSORIES

Find the boxes, sleeves and handles at the end of the section page 45.















OPTIONS (DETAILS ON PAGE 216)

	DS1 size 2	DS3 size 3	DS6 size 4	DS9 size 5	DS2 size 6	DS4 size 7
INDUSTRIAL-DOMESTIC ADAPTERS						
 <p>Industrial inlet MARECHAL® 1P+N+E domestic socket-outlet 10/16 A 230 V fuse protection 10 A and 16 A.</p>	3118015D11*	NA	NA	NA	NA	NA
 <p>* All these plug adapters are available to foreign standards: replace D11 by D40 for UK, D30 for Germany/NL/Lux, D06 for Italy.</p>						
LOCKING PIN FOR 2 PADLOCKS Ø 8 mm (PADLOCKS NOT SUPPLIED)						
	Socket-outlet ref. + 844	Socket-outlet ref. + 844	Socket-outlet ref. + 843	Socket-outlet ref. + 844	Socket-outlet ref. + 843	Socket-outlet ref. + 843
SAFETY HASP FOR UP TO 6 PADLOCKS						
	873A541	873A541	873A541	873A541	873A541	873A541
LARGER RELEASE BUTTON						
	Socket-outlet ref. + 453	Socket-outlet ref. + 453	Socket-outlet ref. + 453	Socket-outlet ref. + 453		
INLET CAP						
 IP66/67	311A426	313A426	316A426			
 IP55				319A126	312A126	312A126
IN-LINE CONNECTIONS (A PAIR OF FINGER DRAW PLATES TO AID CLOSING)						
	613A346	616A346	316A346			
180° OPENING LID						
Standard on poly housing	Standard	Standard	Metal socket ref. + 10	Metal socket ref. + 10	Metal socket ref. + 10	NA
SELF CLOSING/SELF RETURNING LID (ACCORDING TO MODEL)						
	Socket-outlet + R Closing IP55	Socket-outlet + R Closing IP55	GRP Socket-outlet + R Closing IP55	Socket-outlet + R Returning IP40	Socket-outlet + R Returning IP40	Socket-outlet + R Returning IP40
METAL SOCKET CASING WITH SELF RETURN & 180° OPENING LID						
			Socket-outlet ref. + 18	Socket-outlet ref. + 18	Socket-outlet ref. + 18	
SELF-CLOSING LID FOR INLET (IP54)						
	311A226	313A226	316A226			
IP66/67 SOCKET-OUTLET AND INLET (RECOMMENDED IN THE CASE OF COUPLER SOCKET)						
	NA	NA	Ref. + 600	Ref. metal + 600	Ref. + 600	Ref. + 600
SELF-EJECTING (SEE REFERENCES AND OPTIONS DETAILS PAGE 228)						
						
ELECTROMAGNETIC COMPATIBILITY (EMC) (SEE DETAIL PAGE 223)						
			Metal socket ref. +EMC	Metal socket ref. +EMC	Metal socket ref. +EMC	



ACCESSORIES

(SEE PAGE 238 TO CROSS REFERENCE WITH OLDER PART NUMBERS)

BOXES			DS1 size 2	DS3 size 3	DS6 size 4	DS9 size 5	DS2 size 6	DS4 size 7	
POLY BOX									
	30°	M20	512B3M20						
	30°	M25	512B3M25	513B3M25					
	30°	M32			514B3M32				
	30°	M40			514B3M40				
	30°	M20	552B3M20						
	30°	M25	552B3M25	553B3M25					
	30°	M32			554B3M32				
	30°	M40			554B3M40				
METAL BOX (+ EARTHING WIRE)									
	20°	M20	592B2M20	593B2M20					
	20°	M25	592B2M25	593B2M25	594B2M25				Ref. +EMC
	20°	M32		593B2M32	594B2M32				Ref. +EMC
	20°	M40			594B2M40				Ref. +EMC
POLY BOX + POLY SLEEVE (BLACK VERSION SEE ACCESSORIES DXN PAGE 169)									
	70°	Without Hole	512C7000	513C7000	514C7000				
	70°	Ø M20	512C7M20						
	70°	Ø M25	512C7M25	513C7M25					
	70°	Ø M32	512C7M32	513C7M32	514C7M32				
	70°	Ø M40	512C7M40	513C7M40	514C7M40				
METAL BOX (+ EARTHING WIRE) + POLY SLEEVE									
	30°	M20	512C3M20	513C3M20					
	30°	M25	512C3M25	513C3M25	514C3M25				
	30°	M32	512C3M32	513C3M32	514C3M32	515C3M32			
	30°	M40	512C3M40	513C3M40	514C3M40	515C3M40			
	30°	M50			514C3M50	515C3M50			
	30°	M63				515C3M63			
METAL BOXES WITH METAL SLEEVE (+ EARTHING WIRE)									
	30°	M20	592C3M20	593C3M20					
	30°	M25	592C3M25	593C3M25	594C3M25				Ref. +EMC
	30°	M32	592C3M32	593C3M32	594C3M32	595C3M32			Ref. +EMC
	30°	M40		593C3M40	594C3M40	595C3M40			Ref. +EMC
	30°	M50			594C3M50	595C3M50			Ref. +EMC
	30°	M63				595C3M63			Ref. +EMC
	0°	M20	592C0M20	593C0M20					
	0°	M25	592C0M25	593C0M25	594C0M25				Ref. +EMC
	0°	M32	592C0M32	593C0M32	594C0M32	595C0M32			Ref. +EMC
	0°	M40		593C0M40	594C0M40	595C0M40			Ref. +EMC
	0°	M50			594C0M50	595C0M50			Ref. +EMC
	0°	M63				595C0M63			Ref. +EMC
	70°	M20		593C7M20					
	70°	M25		593C7M25	594C7M25				Ref. +EMC
	70°	M32		593C7M32	594C7M32	595C7M32			Ref. +EMC
	70°	M40		593C7M40	594C7M40	595C7M40			Ref. +EMC
	70°	M50			594C7M50	595C7M50			Ref. +EMC
	70°	M63				595C7M63			Ref. +EMC











ACCESSORIES


(SEE PAGE 238 TO CROSS REFERENCE WITH OLDER PART NUMBERS)

BOXES			DS1 size 2	DS3 size 3	DS6 size 4	DS9 size 5	DS2 size 6	DS4 size 7	
METAL BOXES WITH METAL SLEEVE (+ EARTHING WIRE)									
	0°	M50				595E0M50			Ref. +EMC
	30°	M50				595E3M50			Ref. +EMC
	30°	M63				595E3M63			Ref. +EMC
	70°	M50				595E7M50			Ref. +EMC
	70°	M63				595E7M63			Ref. +EMC
	60°	M50					596E6M50		Ref. +EMC
	60°	M63					596E6M63		Ref. +EMC
	60°	M75					596E6M75		Ref. +EMC
METAL BOXES WITH METAL SLEEVE AND METAL CABLE GLAND (+ EARTHING WIRE)									
	70°	35-46 mm						577C763M	
	70°	48-65 mm						577C775M	

SLEEVE		DS1 size 2	DS3 size 3	DS6 size 4	DS9 size 5	DS2 size 6	DS4 size 7	
POLY SLEEVE								
	30°	512M3	513M3	514M3	515M3			
	30°	552M3	553M3	554M3	555M3			
	70°	512M7	513M7	514M7				
	70°	552M7	553M7	554M7				
METAL SLEEVE								
	0°	592M0	593M0	594M0	595M0	596M0		Ref. +EMC
	30°	592M3	593M3	594M3	595M3			Ref. +EMC
	60°					596M6		Ref. +EMC
	60°						597M6	
	70°		593M7	594M7	595M7			Ref. +EMC

HANDLE		DS1 size 2	DS3 size 3	DS6 size 4	DS9 size 5	DS2 size 6	DS4 size 7	
POLY HANDLE WITH GLAND								
	5-21 mm	512P0D21						
	10-30 mm		513P0D30					
	13-35 mm			514P0D35				
	5-21 mm	552P0D21						
	10-30 mm		553P0D30					
	13-35 mm			554P0D35				
	40-63 mm					516P0D63		
ELASTOMER HANDLE WITH GLAND								
	18-25 mm				555P0D25			Ref. +443
	25-35 mm				555P0D35	556P0D35		Ref. +443
	35-45 mm				555P0D45	556P0D45		Ref. +443
	45-49 mm				555P0D49	556P0D49		Ref. +443
POLY HANDLE WITH POLY CABLE GLAND (BLACK COLOR VERSION REPLACE 1 BY 5)								
	5-12 mm	512P020P						Ref. +443
	9-18 mm	512P025P	513P025P					Ref. +443
	14-25 mm	512P032P	513P032P	514P032P	515P032P			Ref. +443
	18-32 mm	512P040P	513P040P	514P040P	515P040P			Ref. +443
	24-38 mm			514P050P	515P050P			Ref. +443
	35-48 mm				515P063P	516P063P		
POLY HANDLE WITHOUT CABLE GLAND (METRIC THREAD ENTRY, BLACK COLOR VERSION REPLACE 1 BY 5)								
	M20	512P0M20	513P0M20					Ref. +443
	M25	512P0M25	513P0M25					Ref. +443
	M32	512P0M32	513P0M32	514P0M32				Ref. +443
	M40	512P0M40	513P0M40	514P0M40				Ref. +443
	M50			514P0M50	515P0M50			
	M63				515P0M63	516P0M63		
	M75					516P0M75		

LEGEND FOR OPTIONAL ACCESSORIES





-  Angle
-  Threading or gland size
-  EMC option
-  HT 240° C
-  Self-ejection

INFO +



ACCESSORIES

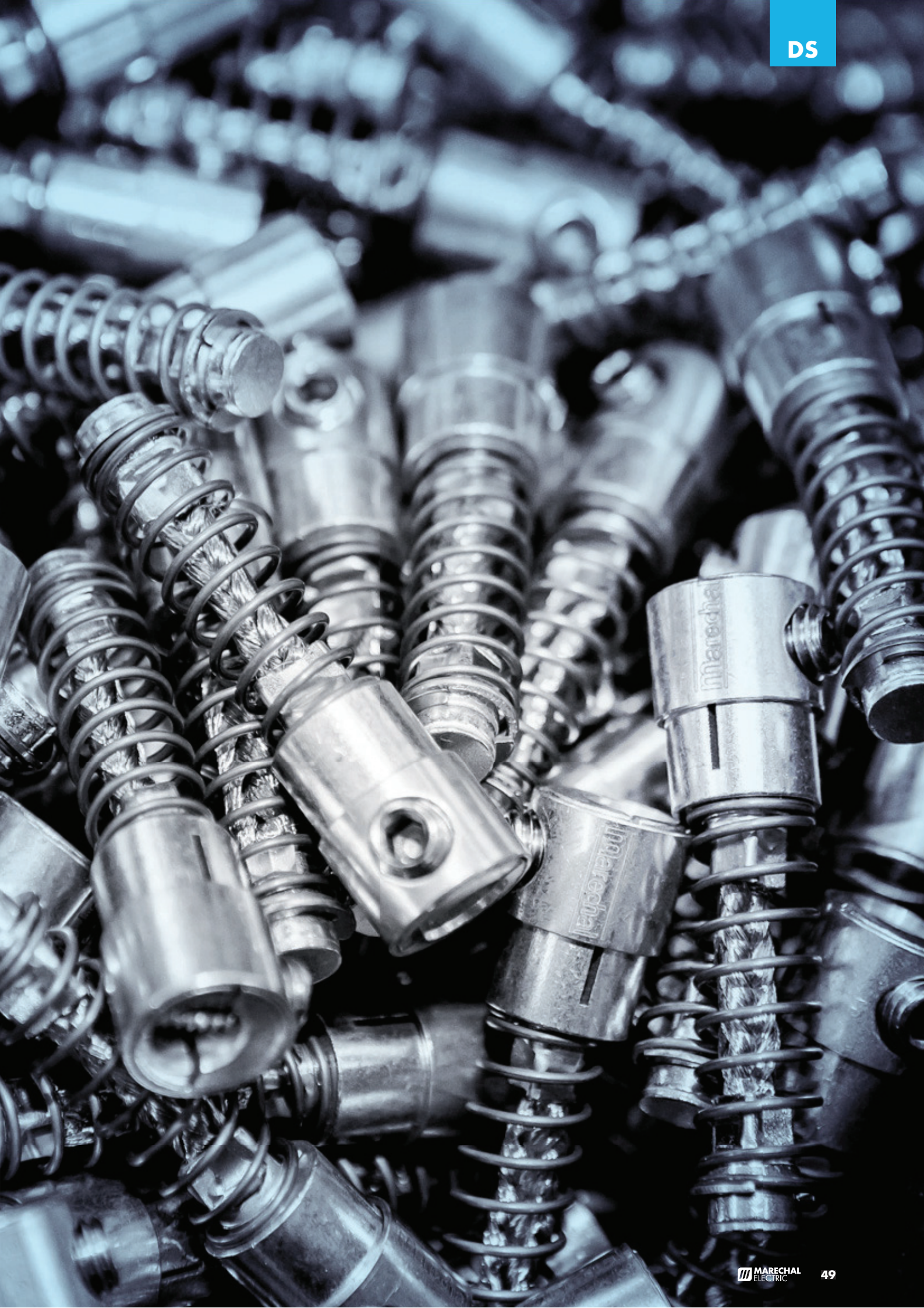
(SEE PAGE 238 TO CROSS REFERENCE WITH OLDER PART NUMBERS)

HANDLE		DS1 size 2	DS3 - DSHT size 3	DS6 size 4	DS9 size 5	DS2 size 6	DS4 size 7	
METAL HANDLE WITH METAL GLAND (+ EARTHING WIRE)								
	7-13 mm	592P020M	593P020M					
	8-16 mm	592P025M	593P025M	594P025M				Ref. +EMC (9-16 mm)
	15-23 mm	592P032M	593P032M	594P032M	595P032M			Ref. +EMC (11-21 mm)
	22-32 mm		593P040M	594P040M	595P040M			Ref. +EMC (19-28 mm)
	34-44 mm			594P050M	595P050M			Ref. +EMC (27-35 mm)
	35-48 mm				595P063M			Ref. +EMC (34-45 mm)
	8-16 mm		573P025M185					
	15-23 mm		573P032M185					
METAL HANDLE WITH INTEGRATED CABLE CLAMP								
	40-54 mm					596P0D54		
	54-63 mm					596P0D63		
	53-57 mm						577P0D57	
	58-62 mm						577P0D62	
	62-68 mm						577P0D68	
	69-73 mm						577P0D73	
METAL HANDLE WITHOUT CABLE GLAND (METRIC THREAD ENTRY)								
	M20	592P0M20	593P0M20					
	M25	592P0M25	593P0M25	594P0M25				Ref. +EMC
	M32	592P0M32	593P0M32	594P0M32	595P0M32			Ref. +EMC
	M40		593P0M40	594P0M40	595P0M40			Ref. +EMC
	M50			594P0M50	595P0M50	596P0M50		Ref. +EMC
	M63				595P0M63	596P0M63		Ref. +EMC
	M75					596P0M75		Ref. +EMC

LEGEND FOR OPTIONAL ACCESSORIES

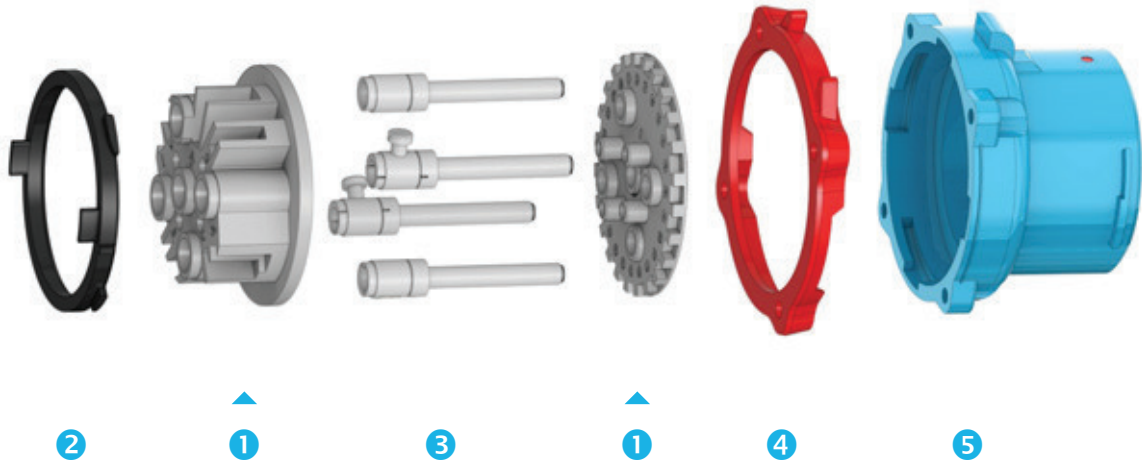
-  Angle
-  Threading or gland size
-  EMC option
-  HT 240° C
-  Self-ejection




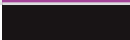
INFO +





SPARE PARTS



PLUG	DS1	DS3	DS6	DS9	DS2	DS4	
1 Plug interior	311A010	313A010	316A010	619A010	-	-	
1 Plug interior metal + E	-	-	396A110	699A110	392A110	394A110	
2 Locking ring	311A583	313A583	316A583	319A583	-	-	
2 Locking ring metal	-	-	396A583	399A583	392A583	394A583	
3 Plug contact (P or N)	311A011	616A011	316A011	619A011	392A011	394A011	
4 Color-coded voltage gasket		311AB26	313AB26	316AB26	319AB26	392AB26	-
		311AR26	313AR26	316AR26	319AR26	392AR26	-
		311AV26	313AV26	-	-	-	-
		311AN26	313AN26	316AN26	319AN26	392AN26	-
5 Plug casing poly	311A501	313A501	316A501	619A501	-	-	
5 Plug casing metal	-	-	396A501	399A501	392A501	394A501	






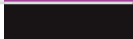
Remember to order the special removal key



Yellow disassembly key
For poly casing
31-A500-1

Contact us for spare parts.



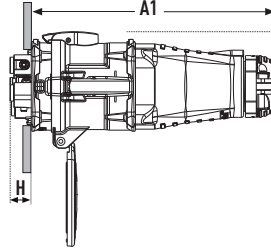
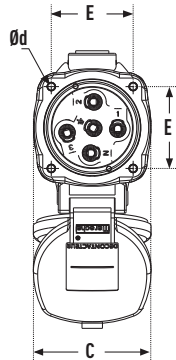
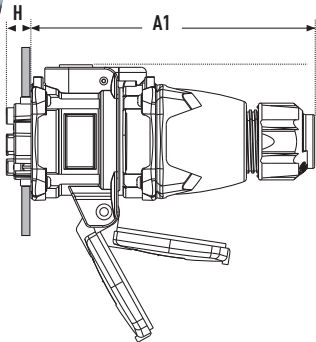
SOCKET	DS1	DS3	DS6	DS9	DS2	DS4	
1 Socket Interior poly	311A020	313A020	316A020	619A020	-	-	
1 Socket Interior metal +E			396A220	699A220	392A220	394A220	
2 Locking ring	311A583	313A583	316A583	319A583	-	-	
2 Locking ring metal	-	-	396A583	399A583	392A583	394A583	
3 Socket contact (P or N)	311A021	616A021	316A021	619A021	392A021	394A021	
4 Color-coded voltage gasket		311AB26	313AB26	316AB26	319AB26	392AB26	-
		311AR26	313AR26	316AR26	319AR26	392AR26	-
		311AV26	313AV26	-	-	-	-
		311AN26	313AN26	316AN26	319AN26	392AN26	-
5 Plug casing poly	311A524	313A524	316A524	619A524	-	-	
5 Metal Socket Lid Gasket	-	-	396A524	399A524	392A524	394A524	
6 Lid gasket	311A563	313A563	316A563	399A563 (metal) 619A074 (poly)	392A563	392A563	

Contact us for spare parts.

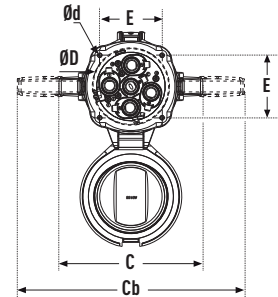


DIMENSIONS

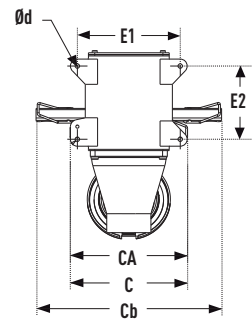
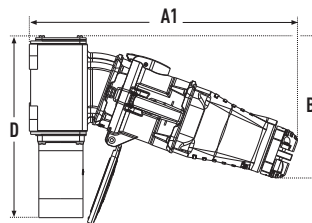
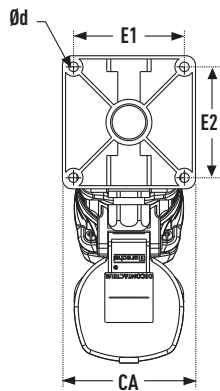
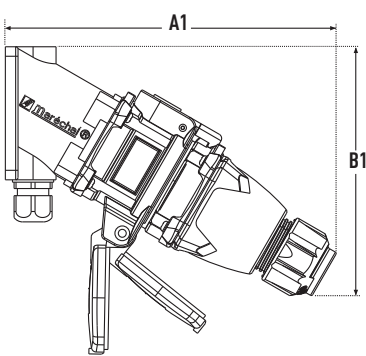
DS1/DS3/DS6



DS9/DS2



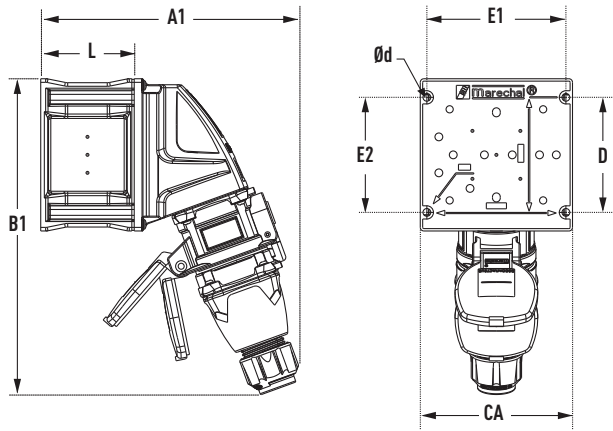
	A1	C	Cb	E	H	Ød*
DS1	166	69	/	48	15	5
DS3	179	80	/	55	17	5
DS6	203	95	/	66	25	5,5
DS9 POLY	315	186	294	81	26	6
DS2	360	192	304	98	38	6,5



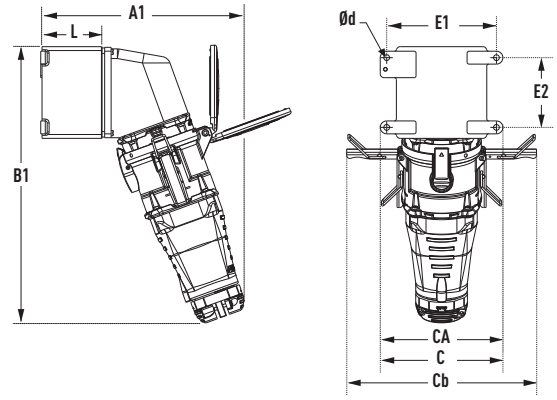
	A1	B1	CA	E1	E2	Ød*
DS1	209	157	84	70	70	6
DS3	235	181	89	77	88	6,5
DS6	283	215	105	89	112	7,5
DS9 POLY (20°)	425	225	185	163	116	7
DS2 (60°)	414	460	226	202	154	10

*Ød : maximum drilling diameter.

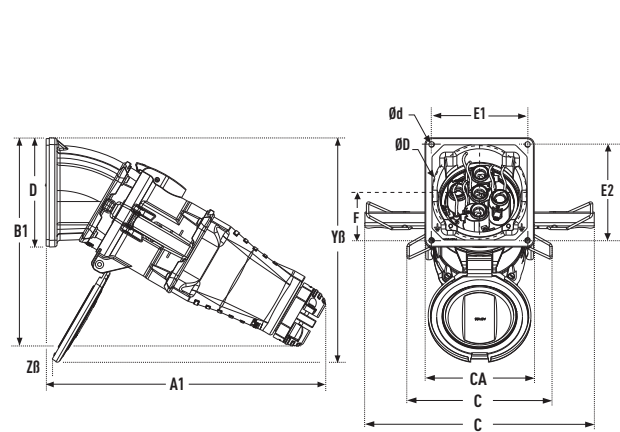
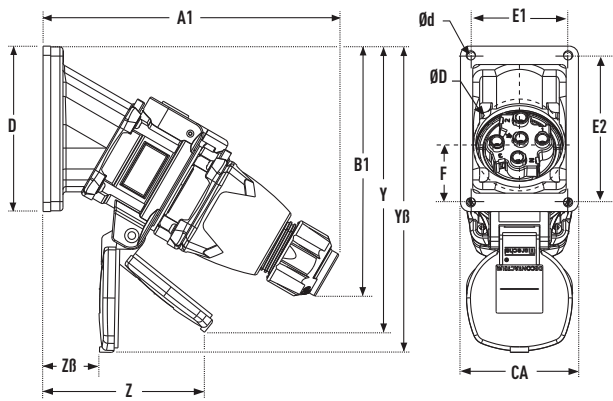
DS1/DS3/DS6



DS9/DS2



	A1	B1	Cb	CA	D	E1	E2	L	Ød*
DS1	216	263		128	128	116	96	78	6
DS3	243	313		170	170	158	139	78	6.5
DS6	250	338		170	170	158	139	78	8.5
DS9 POLY	315	430	294	190	142	170	108	95	9

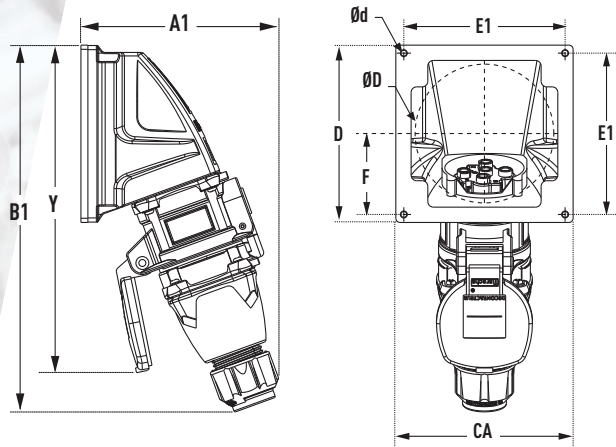


	A1	B1	CA	D	E1	E2	Ød*	ØD max
DS1	193	163	77	108	63	95	5,5	60
DS3	208	174	77	108	63	95	5,5	60
DS6	233	205	102	136	87	122	6,5	70

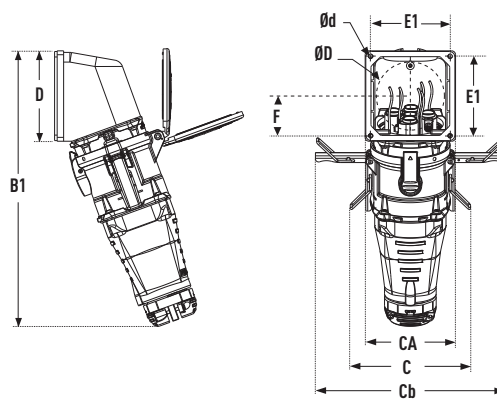
	A1	B1	C	CB	CA	D	E1	E2	Ød*	ØD max
DS9 POLY (30°)	358	267	186	294	140	140	124	124	7	120
DS2 (60°)	295	460	192	304	191	191	165	165	7	145

*Ød : maximum drilling diameter.

DS1/DS3/DS6

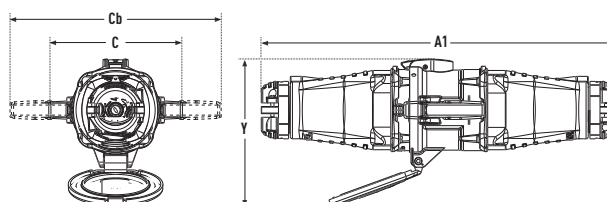
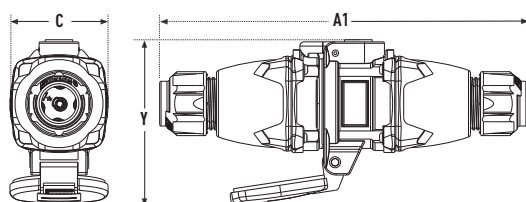


DS9/DS2



	A1	B1	CA	D	E1	Ød*
DS1	140	264	128	128	116	5
DS3	170	313	170	170	159	5
DS6	175	338	170	170	159	5

	A1	B1	C	Cb	CA	D	E1	Ød*
DS9 POLY	220	427	186	294	140	140	124	7

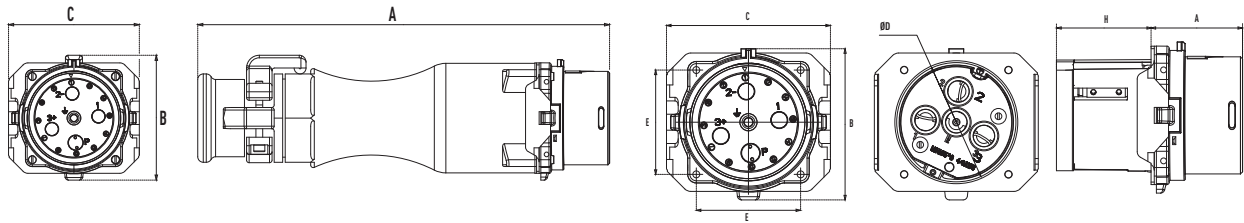


	A1	C	Y
DS1	259	69	117
DS3	277	80	145
DS6	309	95	167

	A1	C	Cb	Y
DS9 POLY	496	186	294	204
DS2	588	192	304	203

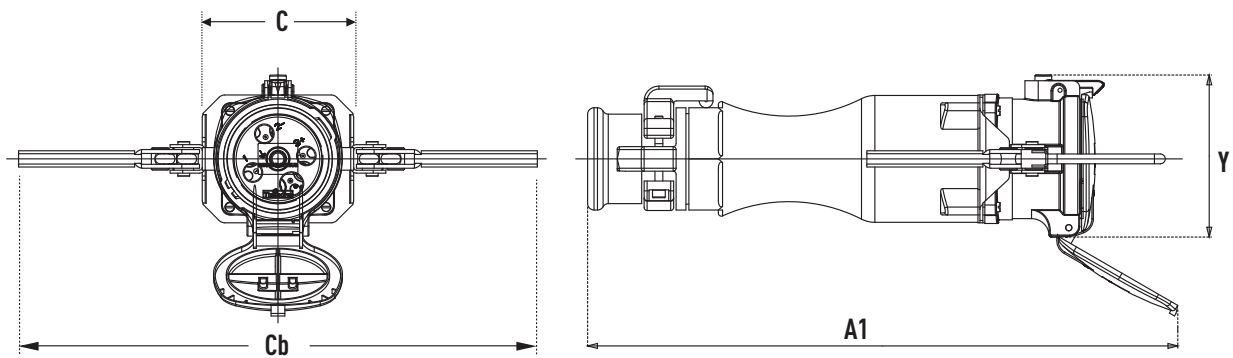
*Ød : maximum drilling diameter.

DS4

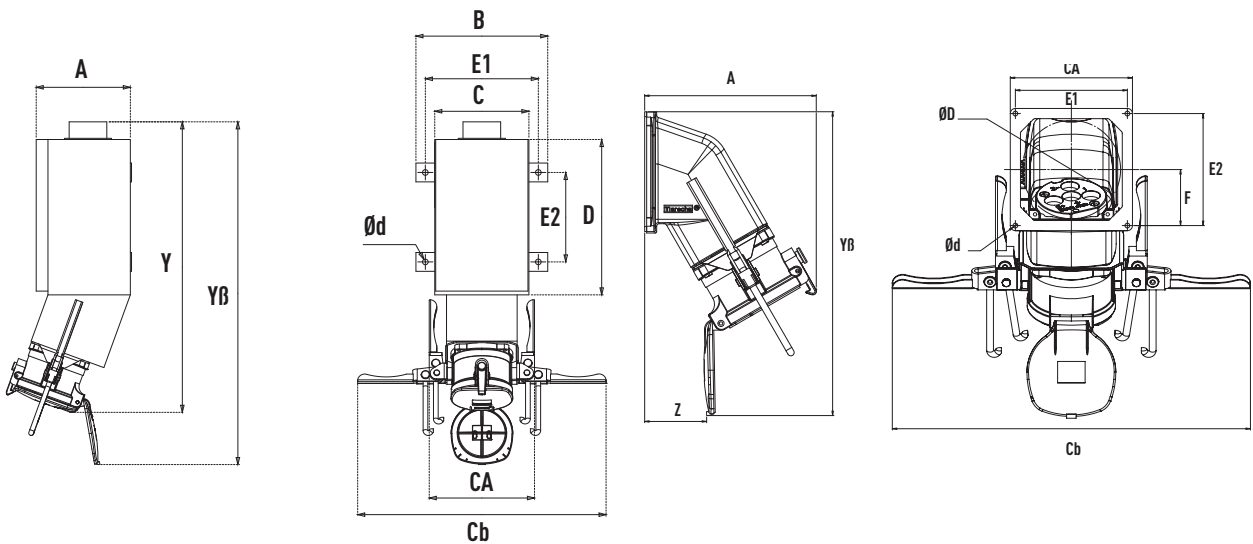


	A	B	C
DS4	485	147	154

	A	B	C	E	H	ØD max
DS4	86	89	154	142	98	112



	A1	C	Cb	Y
DS4	600	224	528	165



	A	B	C	CA	Cb
DS4	200	280	200	224	528
	E1	E2	Y	YB	Ød*
DS4	240	190	627	779	12

	A	CA	Cb	E1	E2
DS4	255	191	528	165	165
	F	YB	Z	Ød*	ØD max
DS4	82,5	448	85	7	145

*Ød : maximum drilling diameter.