

EXPLOSION PROOF ENCLOSURE WA & WS SERIES

FEATURES

- ✓ **WA series** made in aluminum polyester powder coated (black as standard, other colour available on request)
- ✓ **WS series** made in electropolish stainless steel AISI 316 (CF8M)
- ✓ **Water proof** IP66 / IP68 (ATEX and IECEx version) or Nema 4, 4X (UL version)
- ✓ **Up to four cable entries** M20x1,5 and M25x1,5 (ATEX and IECEx version only) or 1/2" NPT-f, 3/4" NPT-f
- ✓ **Temperature range** ATEX and IECEx version: from -60°C (-76°F) +85°C (+221°F) UL version: +80°C (+176°F)
- ✓ **Atex and IECEx certified**
 - ⊕ II 2G Ex d IIC T6... T4 Gb
 - II 2D Ex tb IIIC T110°C / T110°C / T140°C
 - I M2 Ex d I Mb (WS only)
 - (certification specifically for radio and electronic apparatus)
- ✓ **UL certified** for Class I, Group B, C, D and Class II, Group E, F, G
(certified as junction box complete up to 24 terminals)



NOMENCLATURE

UL version

WA	0	00	A	E
a	b	c	d	e



- a Enclosure Series**
 WA Aluminum polyester powder coated
 WS Stainless steel AISI 316 (CF8M)
- b Mounting plate inside**
 0 no mounting plate
 1 mouning plate
- c Number of terminals**
 00 no terminals
 1 ... 24 from 1 to 24

- d Colour**
 A black
- e Cable entry**
 E n° 2 1/2" NPT-f
 F n° 4 1/2" NPT-f
 G n° 2 3/4" NPT-f
 H n° 4 3/4" NPT-f

ATEX IECEx version

H	WA	00000	-	41	0	X1
	a			b		c

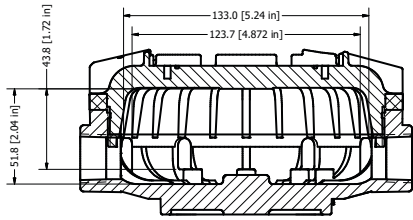
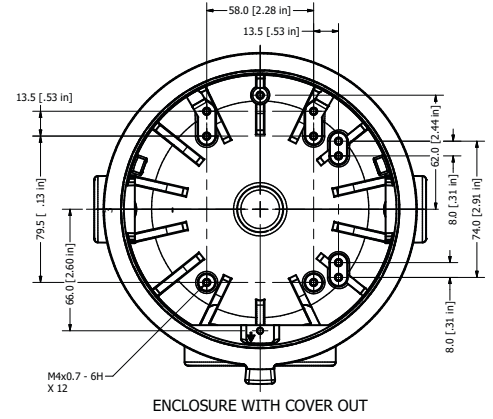
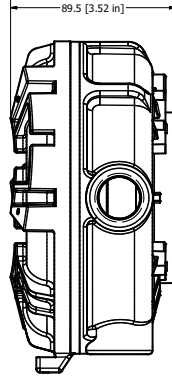
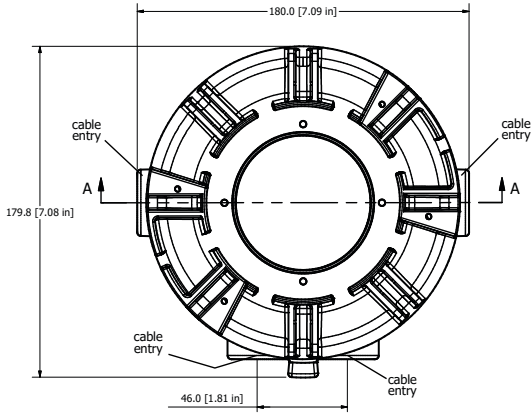


- a Enclosure Series**
 WA Aluminum polyester powder coated
 WS Stainless steel AISI 316 (CF8M)
- b Cable entries**
 21 n° 2 1/2" NPT-f
 22 n° 2 3/4" NPT-f
 23 n° 2 M20x1.5
 24 n° 2 M25x1.5
 41 n° 4 1/2" NPT-f
 42 n° 4 3/4" NPT-f
 43 n° 4 M20x1.5
 44 n° 4 M25x1.5

- c Approvals**
 X1 IECEx and ATEX Gas and Dust (WA only)
 X2 IECEx and ATEX Gas, Dust and Mining (WS only)

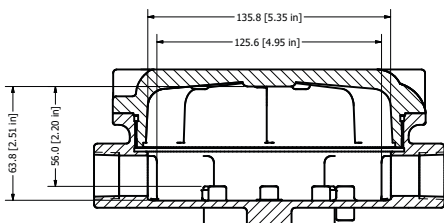
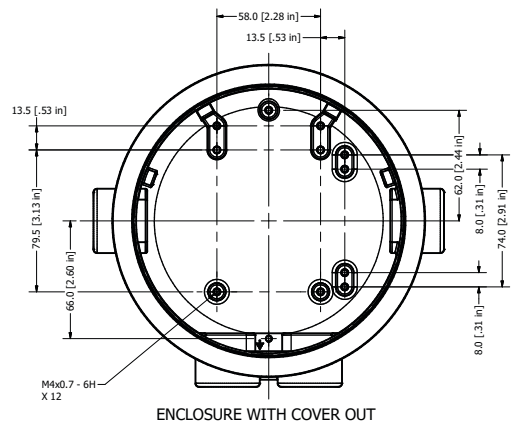
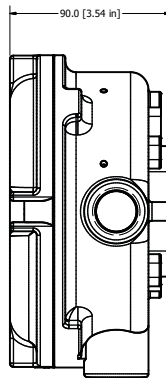
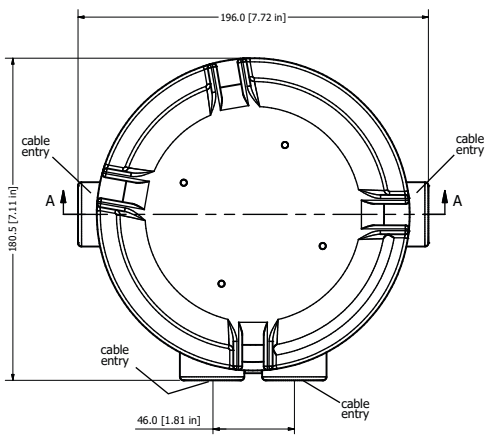
DIMENSIONAL DRAWINGS

WA SERIES



SECTION A-A

WS SERIES



SECTION A-A