

# BExCP3A-BG/BExCP3B-BG Break Glass Call Point

The BExCP3A-BG and BExCP3B-BG break glass manual call points are approved for Zone 1, 2, 21 and 22 hazardous areas for the control of fire and gas alarm systems. Available with and without monitoring resistors all versions are certified to ATEX and IECEx standards.

The BEx range features enclosures manufactured from corrosion proof, marine grade, copper free LM6 (A413) aluminium which is phosphated and powder coated.

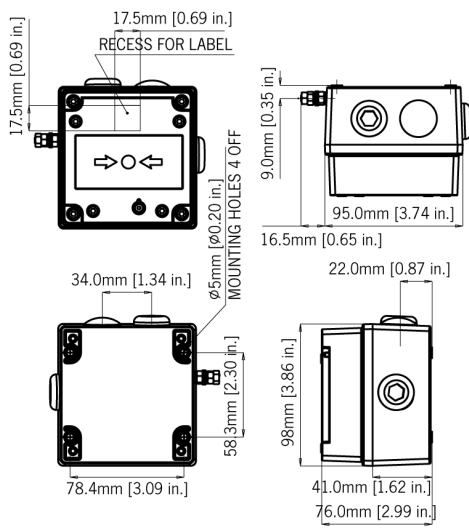
## Options

- Alternative housing colours are available to meet specific requirements.
- DIN rail mounted terminal blocks: 8 x 2.5mm<sup>2</sup>
- Stainless Steel lift flap
- Metalised Polyester "Duty" label.
- Series and/or End of Line resistors.

## Approvals

- ATEX certificate: Sira 09ATEX3286X,  
IEC 60079-0:2007 Ed 5, EN 60079-1:2004,  
EN 60079-7:2007, IEC 60079-18:2009 Ed 3,  
EN 61241-1:2004
- IECEx certificate: IECEx SIR 09.012 1X,  
IEC 60079-0:2007-10 Edition: 5,  
IEC 60079-1:2003 Edition: 5,  
IEC 60079-18:2009 Edition: 3,  
IEC 60079-7:2006-07 Edition: 4,  
IEC 61241-1:2004 Edition: 1
- Inmetro certificate: 10IEx-0011X
- GOST-R certificate: POCC GB.JB05.B03365
- SIL 2 certified to IEC 61508 (2010)
- Complies with design requirements of EN54-11





## Specification

|                     |   |
|---------------------|---|
| BExCP3A-BG:         | II 2G Ex d e IIC T6 Gb<br>II 2D Ex t IIIC T60°C Db<br>IP66  |
| BExCP3B-BG:         | II 2G Ex d e mb IIC T4 Gb<br>II 2D Ex t IIIC T70°C Db<br>IP66   |
| Ambient:            | Ta = -40°C to +55°C [-40° to +131°F]<br>(+50°C for BExCP3B)   |
| Ingress protection: | IP66  |
| Housing material:   | Marine grade copper free<br>LM6 Aluminium   |
| Housing finish:     | Phosphated & powder coated finish: anti-corrosion.  |
| Colour:             | RAL3000 Red (others available on request)   |
| Cable entries:      | 2 x M20 clearance top and<br>1 x M20 clearance side.<br>Back box can be rotated to give<br>2 x bottom and 1 x side entries. |
| Stopping plugs:     | 2 x Ex e nylon plugs as standard<br>Brass and stainless steel plugs optional  |
| Terminals:          | 6 x 4.0mm <sup>2</sup> cables or or 8 x 2.5mm <sup>2</sup> DINrail  |
| Weight:             | 0.8Kg   |

## Part Codes

| Option:  | Code:      | Description:   |
|--|------------|--|
| Type:  | BExCP3A-BG | A type - no end of line devices  |
|  | BExCP3B-BG | B type - choice of end of line devices   |
| Terminals:   | ST         | ST: Standard   |
|  | DR         | DR: DINrail (only on BExCP3B type)   |
| Lift flap:   | LF         | Lift flap  |
|  | NF         | No lift flap   |
| Duty label:  | NL         | No duty label  |
|  | DL         | Duty label required - specify contents   |
| Colour:  | RD         | Red enclosure colour   |
|  | XX         | Other enclosure colour - contact sales   |
| Voltage:   | 48V        | System voltage (only required for BExCP3B type)                                  |
|  | 24V        |  |
|  | 12V        |  |
|  | 6V         |  |
| E.O.L. Resistor:   | ExxxR      | Resistor value in Ohms e.g. E470R = 470 Ohm<br>(only required for BExCP3B type)  |
| Series Resistor:   | SxxxR      | Resistor value in Ohms e.g. E1K5R = 1.5K Ohm<br>(only required for BExCP3B type) |
| e.g. BExCP3A-BG-ST-LF-NL-RD  |            |  |
| BExCP3A Break glass call point with standard terminals, lift flap and no duty label.<br>Red housing  |            |  |
| e.g. BExCP3B-BG-DR-NF-NL-RD-24V-E470R  |            |  |
| BExCP3B Break glass call point with DIN rail terminals, no lift flap, no duty<br>label, 24V supply with a 470 Ohm end of line resistor. Red housing. |            |  |

## Versions

| Version:       | Voltage:  | Switch:              | Terminals:              | Cable entries:     |                          |
|----------------|---|----------------------|-------------------------|--------------------|--------------------------|
| BExCP3A-BG     | 250V ac Max. 5.0A Max.  | 6 x 4mm <sup>2</sup> | 2 x M20 Top/Bottom      | 1 x M20 Left/Right |                          |
|                | 50V dc Max. 1.0A Max.   |                      |                         |                    |                          |
| <b>Coding:</b> | II 2G Ex d e IIC T6 Gb Ta = -40°C to +55°C<br>II 2D Ex t IIIC T60°C Db IP66 |                      |                         |                    |                          |
| Version:       | Nom. / Max. Voltage:  | Switch:              | Terminals:              | Cable entries:     | Min. EOL / Series Value: |
| BExCP3B-BG     | 48V/56V   | 56V dc               | 6 x 4mm <sup>2</sup> or | 2 x M20            | 1K8                      |
|                | 24V/28V   | Max.                 | 8 x 2.5mm <sup>2</sup>  | Top/Bottom         | 470R                     |
|                | 12V/15V   | Rating:              | DINrail                 | 1 x M20            | 120R                     |
|                | 6V/9V   | <50V:                |                         | Left/Right         | 47R                      |
|                |   | 1.0A                 |                         |                    |                          |
|                |   | >50V:                |                         |                    |                          |
|                |   | 0.75A                |                         |                    |                          |

E2S Warning Signals sales@e2s.com www.e2s.com

No liability is accepted for any consequence of the use of this document. The technical specification of this unit is subject to change without notice due to our policy of continual product development. All dimensions are approximate. This unit is sold subject to our standard conditions of sale, a copy of which is available on request.

8 Feb 2018

**Coding:** II 2G Ex d e mb IIC T4 Gb Ta = -40°C to +50°C  
II 2D Ex t IIIC T70°C Db IP66