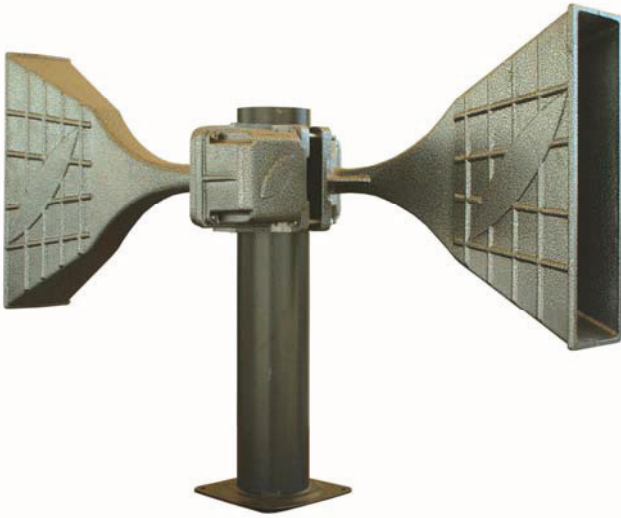


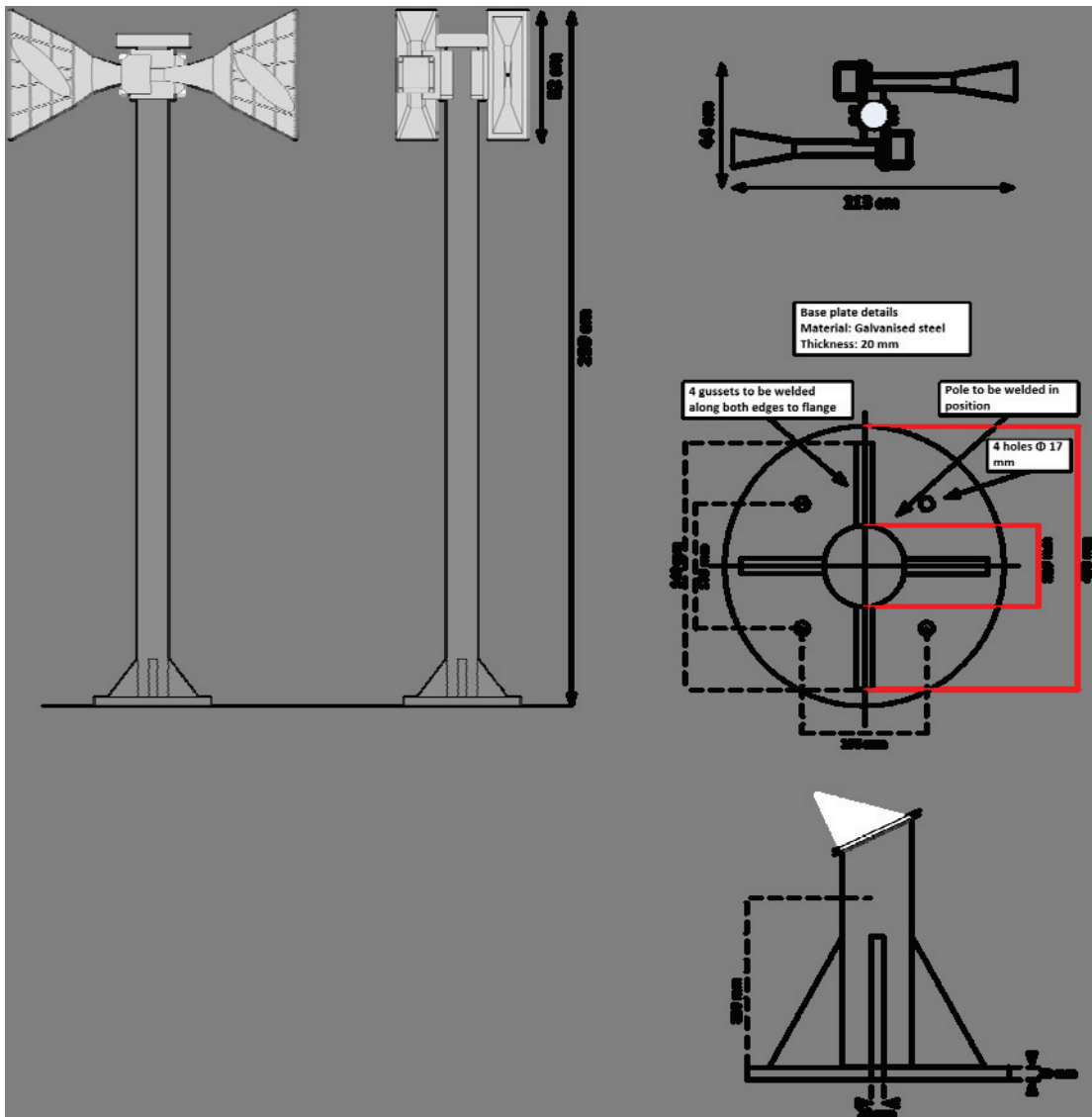
A151-1-2-106



- Powerful Electronic Siren, 106 dB @ 30m
- Battery Operation and Back-Up with 7 days standby and 30 minutes of alarm in the event of power failure
- Alloy speaker assembly which is lightweight, rugged and weatherproof
- Reliable operation using British designed and manufactured Class D amplifiers
- Cable runs inside the mounting pole for maximum lightning protection. Additional surge protection can be added as an optional extra.

Technical Data

Voltage:	115V ac or 230V ac	Activation:	8 Volt Free Contacts
Current Consumption:	5A @ 115V ac, 2.5A @ 230V ac	Monitoring:	4 Volt Free Contacts
Batteries:	4 x 24 Ah		
Weight:	Control Cabinet: 20 Kg Speaker Assembly: 26 Kg	Control Options:	LCD Control Panel PC Software Utilising; Radio (VHF/UHF/GSM/Tetra/Sat) TCP/IP Network Fibre Optic Network
Sound Output:	106 dB @ 30m 136 dB @ 1m		
Alarm Tones:	8 Alarm Tones/Voice Messages Custom Tone sets available		



A151-1-2-106	
Horns	2
Power	200 Watts
Output	106 dB @ 30m
Speakers array height	52 cm
Horns weight	26 kg (11.83 lbs) without pole
Wind load	416 Newton @ 160 Km