

B300RTH Rotating Beacon [Halogen Bulb]

The B300RTH rotating beacon features a 20/25W Halogen lamp providing 821 Candelas of light output. The parabolic reflecting mirror creates a focused beam of light maximising the visual effectiveness. The UV stable, fire retardant polycarbonate enclosure and coloured lens ensure the B300RTH is robust enough for the toughest of applications.

The surface mount base can also be supplied with a right angle bracket or with a pole mounted assembly.

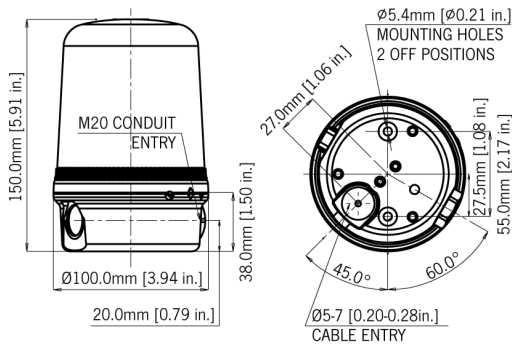
Features

- Bayonet fixing lens.
- Anti-tamper locking screw.
- Stainless steel fixings.

Approvals

- GOST-R certificate: POCC GB.JB05.H00144.





Specification

Light source:	Halogen Lamp G6,35/GY6,35
Light output:	20/25W
Peak Candela:	821 cd
Candela:	125 cd* (effective intensity)
Rotation speed:	180RPM (+/-30RPM)
Drive life:	>5,000 hrs
Duty cycle:	100%
Lens colours:	Amber, Blue, Clear, Green, Red & Yellow
Lens type:	Plain
Mounting:	Surface mount (right angle or pole mount accessories available)
Entries:	1 x 5-7mm push through grommet 1 x M20 cable entry
Dimensions:	Ø100 x 150mm
Ingress protection:	IP65
Housing material:	High impact UL94 V0 (f1) PC
Lens material:	High impact UL94 V0 (f1) PC
Terminals:	1.5 mm ² flying lead assembly
Operating temp:	-25 to +50°C [-13° to +122°F]
Storage temp:	-40 to +70°C [-40 to +158°F]
Relative humidity:	90% at 20°C [68°F]
Weight:	370g/0.81lbs

*Candela measurements representative of performance with clear lens at optimum voltage.

Part Codes

Version:	Wattage:	Part code:
12V dc	20W	B300RTH012B/[x]
24V dc	20W	B300RTH024B/[x]
115V ac	25W	B300RTH115B/[x]
230V ac	25W	B300RTH230B/[x]

[x] = Lens colour:

- A: Amber
- B: Blue
- C: Clear
- G: Green
- R: Red
- Y: Yellow

Current Consumption

Version:	Current mA:
12V dc	1.72A
24V dc	0.91A
115V ac	50/60Hz 216mA
230V ac	50/60Hz 117mA