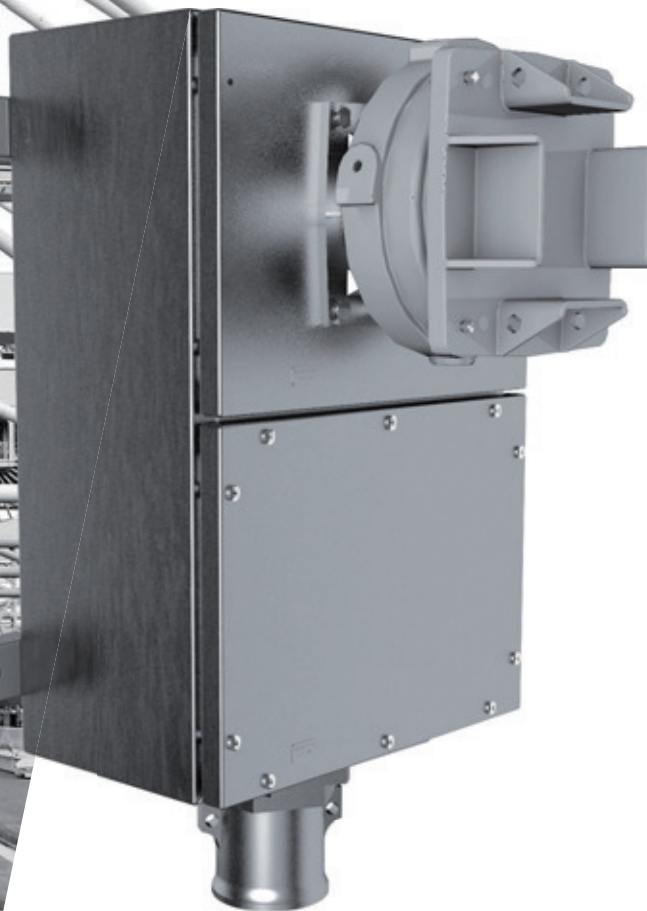


PF



HEAVY-DUTY PLUGS & SOCKETS



315 A/400 A/500 A/600 A

- ▶ Up to 600 A/1 000 V
- ▶ Automatic IP66/IP67 water-and dust-tight
- ▶ Mechanical and electrical interlocking
- ▶ Up to 6 auxiliary and 2 pilot contacts
- ▶ Marine aluminum casing and stainless steel AISI 316 L box

TECHNICAL FEATURES

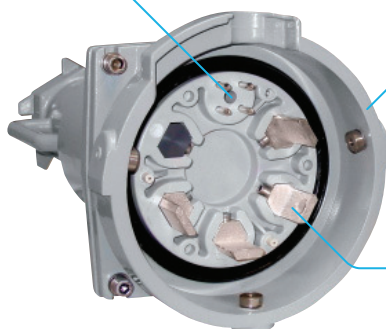
Socket-outlets that must be linked to switch/contactors via the pilot contacts.

	PFQ3	PFQ4	PFC5	PFC6
Rated current (In)	315 A	400 A	500 A	600 A
U _{max}	690 V	690 V	1 000 V	1 000 V
Auxiliary contacts available	6	6	2	2
Pilot contacts		<<< 2 >>>		
Keying positions	10	10	7	7
Ambient temperature		<<< -40 °C to +60 °C >>>		

MECHANICAL FEATURES

Pilot contacts: designed to connect after and disconnect before the phase contacts

IK10 metal casing
High resistance to shocks



Lateral spring-loaded silver butt-contacts. Silver is an excellent conductor and the plug engagement cleans contacts automatically.

Electromechanical interlocking mechanism

The locking mechanism guarantees safe and watertight connection and engages the pilot contacts



Safety shutter IP4X/IPXXD (PFQ) IP2X (PFC)



PF series comply with :

- The European Low Voltage Directive 2014/35/EU,
- The French decree dated 20 December 2011 pertaining to the wiring and operating conditions of movable electrical apparatuses, and to NF C15-100 French standard
- The decrees relating to workers' protection in Belgium, Spain and Italy.

Also certified by **UL, TR CU (GOST) and CSA (American, Russian and Canadian inspection laboratories).**

HEAVY-DUTY PLUGS & SOCKETS



MECHANICAL AND ELECTRICAL LOCKING



OPERATING INSTRUCTIONS



Off load engagement



The male-female couple is automatically watertight.



Locking the plug in the socket closes the pilots and connects the main circuit.

FIND PF OPERATION IN VIDEO



PF operation

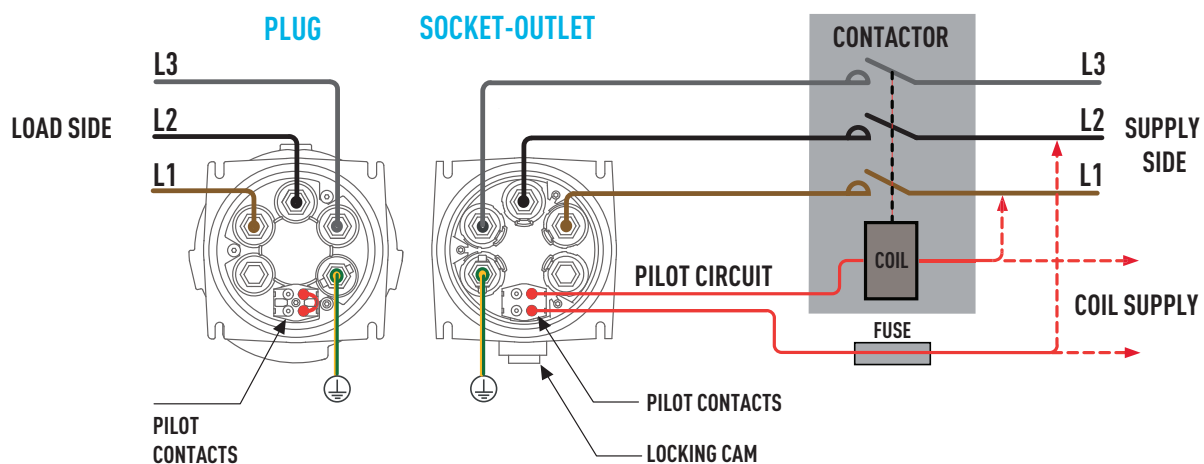
ELECTRICAL INTERLOCKING

At this level of power, it is not possible to cut directly under load. Electrical interlocking with a switch or a pilot controlled contactor is required. Boxes with the following equipment are available upon request:

- circuit breaker or differential switch,
- contactor,
- fuses,
- loop-out enclosures,
- terminals for single pole cables...

INFOS +

LINE DIAGRAM OF TYPICAL PF PILOT CONTROL CIRCUIT



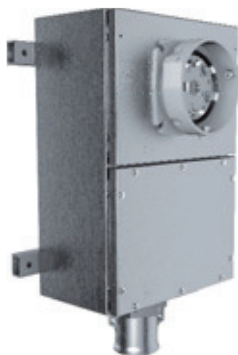
PILOT CONTACTS

	PFC	PFQ
Pilot contacts	2	2
Pilot Amperage	20 A/400 V AC	10 A/400 V AC
Interlocking Type	Mechanical	Mechanical
Terminal Type	Screw	Solder/crimp

Notes : The mechanical locking of the plug to the socket-outlet, via the rotation of a cam, closes the pilot contacts.
Failure to use a pilot/relay system can create an electrical shock hazard.

PFQ3 & Q4

HEAVY-DUTY PLUGS & SOCKETS



WALL MOUNTING INLET PFQ3



Box
474A023070

Inlet
4738017



COUPLER SOCKET PFQ3



Straight handle
474A013-70

Socket-outlet
4734017

MAIN FEATURES

Rated current	315 A (PFQ3)/400 A (PFQ4)	Flexible wiring (min-max)	95-240 mm ²
Maximum voltage	690 V	Stranded wiring (min-max)	95-240 mm ²
IP protection lid closed	IP66/IP67	Wiring for single or multi entry	
IP protection plug connected	IP66/IP67	Keying positions	10
Shock resistance	IK10	Auxiliary contacts (10 A/400 V)	6
Ambient temperature	-40 °C to +60 °C	Pilot contacts (10 A/400 V)	2

SOCKET-OUTLET female PFQ3 (315 A)



INLET male PFQ3 (315 A)



380-440 V AC	3P+E	4734013	4738013
220-250 V AC 380-440 V AC	3P+N+E	4734017	4738017
660-690 V AC	3P+E	4734193	4738193
380-400 V AC 660-690 V AC	3P+N+E	4734197	4738197

SOCKET-OUTLET female PFQ4 (400 A)



INLET male PFQ4 (400 A)



380-440 V AC	3P+E	4744013	4748013
220-250 V AC 380-440 V AC	3P+N+E	4744017	4748017
660-690 V AC	3P+E	4744193	4748193
380-400 V AC 660-690 V AC	3P+N+E	4744197	4748197

315 A & 400 A IP66/IP67

BOXES STAINLESS STEEL 316 L CABLE GLAND INCLUDED



	Wiring from 95 to 150 mm ²	Wiring from 150 to 240 mm ²
46-50 mm	474A023050	474A023550
51-55 mm	474A023055	474A023555
56-60 mm	474A023060	474A023560
61-65 mm	474A023065	474A023565
66-70 mm	474A023070	474A023570
71-75 mm	474A023075	474A023575
76-80 mm	474A023080	474A023580
81-85 mm	474A023085	474A023585
86-90 mm	474A023090	474A023590

On request: boxes for installation in ducts, boxes equipped with circuit breaker, earth-leakage switch, contactor,...

HANDLES



	Straight*	Angled 90°
46-50 mm	474A013-50	474A913-50
51-55 mm	474A013-55	474A913-55
56-60 mm	474A013-60	474A913-60
61-65 mm	474A013-65	474A913-65
66-70 mm	474A013-70	474A913-70
71-75 mm	474A013-75	474A913-75
76-80 mm	474A013-80	474A913-80
81-85 mm	474A013-85	474A913-85
86-90 mm	474A013-90	474A913-90

A right angled cable lug M14 with insulated sleeve

Straight cable lug M14 with insulated sleeve



ACCESSORIES AND OPTIONS

Key for locking and operating pilot contacts	473A393
Inlet lid	474A126



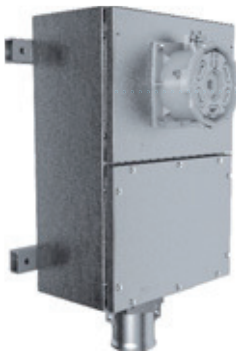
It is recommended to put an insulating sleeve once the lugs are crimped.



* Trumpet gland available on request

PFC5 & C6

HEAVY-DUTY PLUGS & SOCKETS



WALL MOUNTING SOCKET PFC5



Box
496A023070



Socket-outlet
4954017

PLUG PFC5



Angled Handle
496A913-70



Inlet
4945017

MAIN FEATURES

Rated current	500 A (PFC5)/600 A (PFC6)	Flexible wiring (min-max)	95-240 mm ²
Maximum voltage	1 000 V	Stranded wiring (min-max)	95-240 mm ²
IP protection lid closed	IP66/IP67	Wiring for single or multi entry	
IP protection plug connected	IP66/IP67	Keying positions	7
Shock resistance	IK10	Auxiliary contacts (20 A/400 V)	2
Ambient temperature	-40 °C to +60 °C	Pilot contacts (20 A/400 V)	2

SOCKET-OUTLET female PFC5 (500 A)



INLET male PFC5 (500 A)



380-440 V AC	3P+E	4954013	4958013
220-250 V AC 380-440 V AC	3P+N+E	4954017	4958017
660-690 V AC	3P+E	4954193	4958193
380-400 V AC 660-690 V AC	3P+N+E	4954197	4958197
1000 V AC	3P+E	4954223	4958223

SOCKET-OUTLET female PFC6 (600 A)



INLET male PFC6 (600 A)



380-440 V AC	3P+E	4964013	4968013
220-250 V AC 380-440 V AC	3P+N+E	4964017	4968017
660-690 V AC	3P+E	4964193	4968193
380-400 V AC 660-690 V AC	3P+N+E	4964197	4968197
1000 V AC	3P+E	4964223	4968223

500 A to 600 A IP66/IP67

BOXES STAINLESS STEEL 316 L CABLE GLAND INCLUDED



	Wiring from 95 to 150 mm ²	Wiring from 150 to 240 mm ²
46-50 mm	496A023050	496A023550
51-55 mm	496A023055	496A023555
56-60 mm	496A023060	496A023560
61-65 mm	496A023065	496A023565
66-70 mm	496A023070	496A023570
71-75 mm	496A023075	496A023575
76-80 mm	496A023080	496A023580
81-85 mm	496A023085	496A023585
86-90 mm	496A023090	496A023590

On request: boxes for installation in ducts, boxes equipped with circuit breaker, earth-leakage switch, contactor,...

HANDLES



	Straight *	Angled 90°
46-50 mm	496A013-50	496A913-50
51-55 mm	496A013-55	496A913-55
56-60 mm	496A013-60	496A913-60
61-65 mm	496A013-65	496A913-65
66-70 mm	496A013-70	496A913-70
71-75 mm	496A013-75	496A913-75
76-80 mm	496A013-80	496A913-80
81-85 mm	496A013-85	496A913-85
86-90 mm	496A013-90	496A913-90

A right angled cable lug M14 with insulated sleeve

Straight cable lug M14 with insulated sleeve



ACCESSORIES AND OPTIONS

Locking key	496A393
Inlet cap	496A126



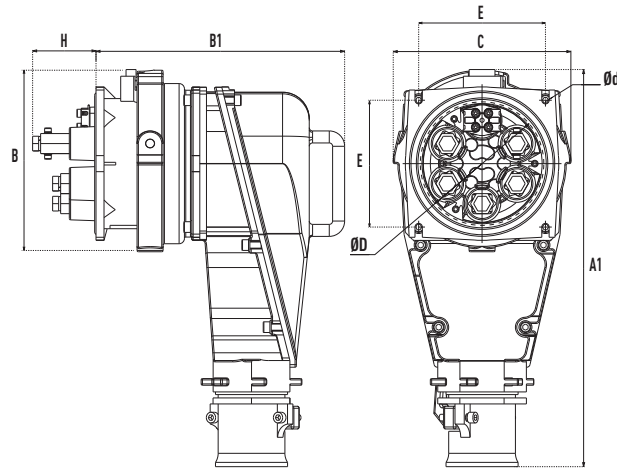
i It is recommended to put an insulating sleeve once the lugs are crimped.

* Trumpet gland available on request

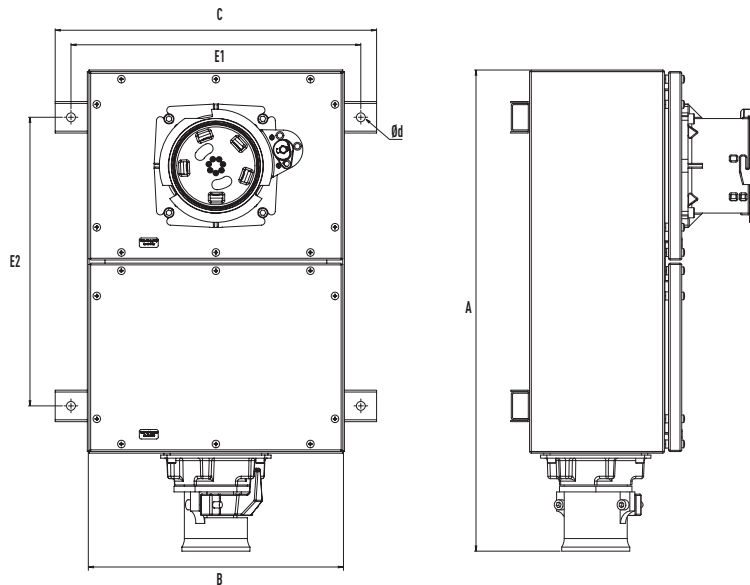


DIMENSIONS

PFQ/PFC



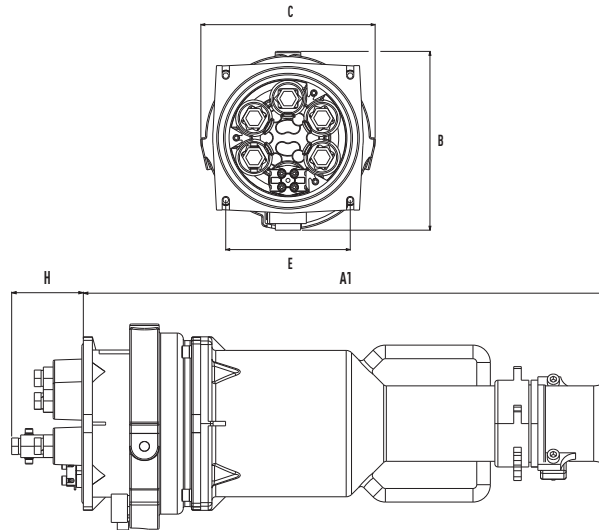
	A1	B	B1	C	E	H	Ød*	ØD max.
PFQ ANGLED	471	244	354	202	145	69	11	135
PFC ANGLED	595	273	373	266	190	95	11	185



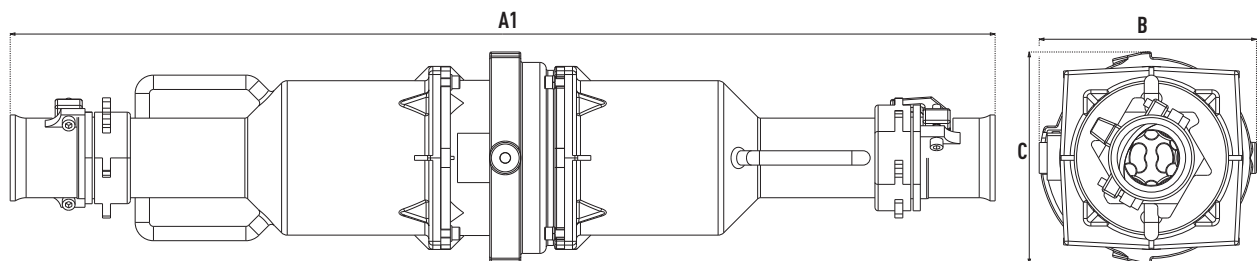
	A	B	C	E1	E2	Ød*
95-150 mm²	764	408	510	460	458	14
150-240 mm²	1064	408	510	460	400/800	14

*Ød : maximum drilling diameter.

PFQ/PFC



	A1	B	B1	C	E	H	Ød*	ØD max.
PFQ STRAIGHT	645	244	-	202	145	69	11	135
PFC STRAIGHT	697	273	-	266	190	95	11	185



	A1	B	C
PFQ	1181	244	202
PFC	1238	273	266

*Ød : maximum drilling diameter.