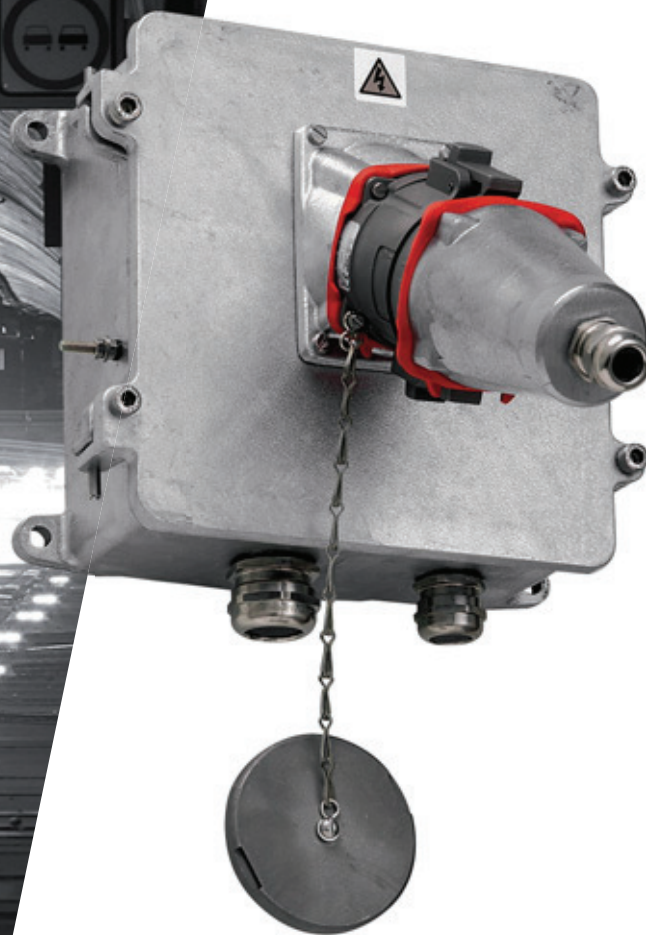


DSHT



DECONTACTOR™ HIGH TEMPERATURE



30 A → 125 A

- ▶ Proximity power supply of smoke accelerators or in high temperature environment up to 240 °C
- ▶ DECONTACTOR™ 3P+E+2 aux 125 A – 690 V AC - AC 22 IEC 60947-3
- ▶ Continuous use at 240 °C or 400 °C - EN 12101-3
- ▶ IP66 & IK09 for Metal casing
- ▶ Complies with machine directive EN 60204-1 (Art 5.3 & 5.4 proximity emergency stop)

MAIN FEATURES

Max. operating temperature steady	240 °C/400 °C (2h)	Protection	IP66
Rated current In	125 A	Robustness	IK09
Umax	690 V	Crimp cable wiring from 6 to 35 mm ²	
Maximum no. of contacts	3P+E	Terminal Wiring on socket side of 10 to 95 mm ²	
Auxiliary contacts (optional)	2	Shock resistance	IK09 according to NF EN 50102
Breaking capacity	AC-22 (NF EN 60947-3)	Ingress Protection	IP66 (NF EN 60529)
Service terminals	3 terminals usually mounted on a steel base fire	Internal and external Earth point	Inside and outside the enclosure
Fire resistance	Electrical continuity of the main cable guaranteed to 400°C for 2 hours as the test program 5 of NF EN 12101-3 standard		



TUNNEL APPLICATION EQUIPMENT

DSHT (125 A) 400°C*

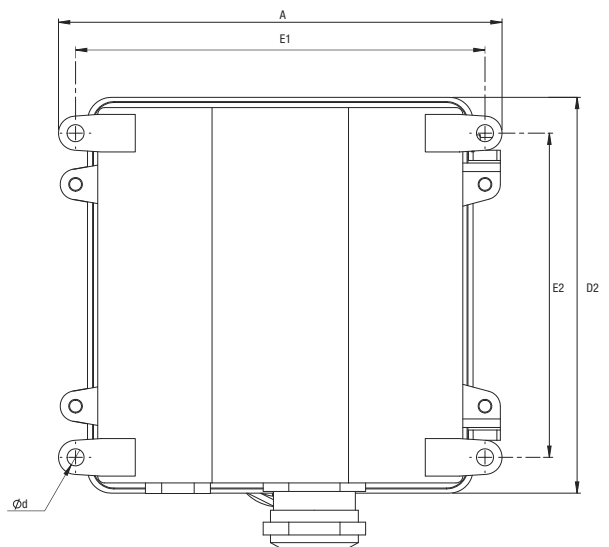
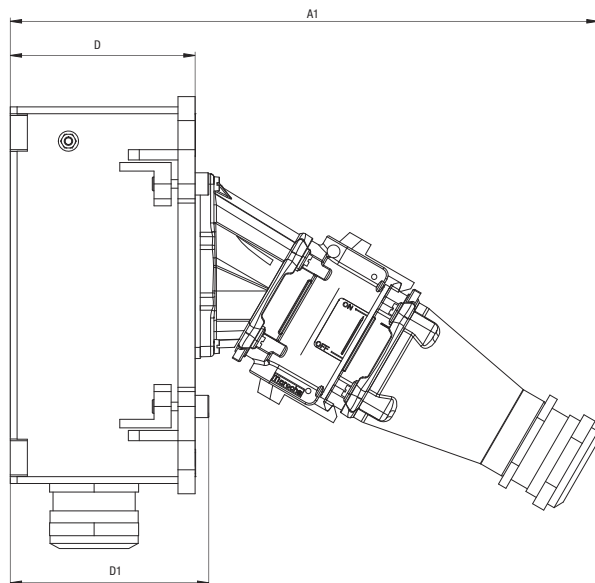
WALL MOUNTING SOCKET

PLUG

380-440 V AC	3P+E	3934013Zxxxx	3938013Zxxxx
660-690 V AC 63 A	3P+E	3934193Zxxxx	3938193Zxxxx

* 400 °C for 2 hours/240 °C permanently

Contact us for configurations and references.



	A	A1	D	D1	D2	E1	E2	Ød max
DSHT	260	343	108	116	232	240	190	10