

IS-pA1 Panel Mount Sounder

The IS-pA1 is a compact, panel mount 90dB(A) intrinsically safe alarm buzzer.

Producing a high frequency continuous tone, the IS-pA1 can be pulsed to produce different sounds. Utilising the supplied threaded lock nut the IS-pA1 mounts into a 28mm hole - ideal for applications in control panels where a fault indication or other process alarm is required.

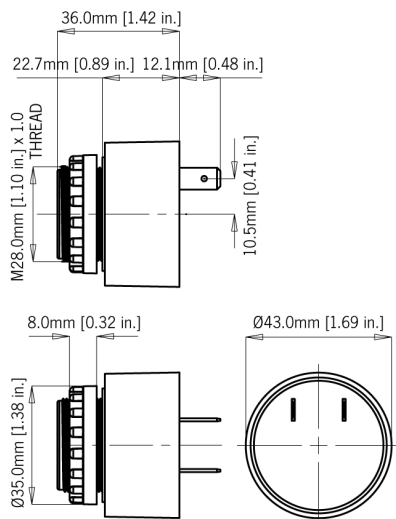
Features

- Input overload and reverse current protection.

Approvals

- ATEX certificate: SIRA 10ATEX2317X,
EN 60079-0 : 2012, EN 60079-11 : 2012,
IEC 60079-26 : 2014
- IECEx certificate: IECEx SIR 10.0073X,
IEC 60079-0 : 2011, IEC 60079-11 : 2011,
IEC 60079-26 : 2014
- GOST-R certificate: POCC GB.JB05.B03365





Specification

Nominal output: 89.6dB(A) @ 1m +/- 3dB [80.6dB(A) @ 10ft/3m]

No. of tones: 1 - continuous tone

Frequency: 2600Hz

Voltage: 16-28Vdc via Zener barrier or galvanic isolator

Current: 12mA typical when powered from 24v supply Zener barrier

Ingress protection: IP66

Rating: Continuous

Housing material: UL94V0 & 5VA FR ABS

Housing colour: RAL7038 Grey

Mounting: Panel mount - 28.5mm

Terminals: Spade terminals

Operating temp: -40° to +60°C [-40 to +140°F]

Storage temp: -40° to +70°C [-40 to +158°F]

Relative humidity: 90% at 20°C [68°F]

Part Codes

ATEX / IECEx

IS-pA1-G

II 1G Ex ia IIB T6 Ga (-30°C ≤ Ta ≤ +60°C)

May be powered from any certified Zener barrier or galvanic isolator whose output parameters do not exceed:

Uo : 40VDC Io : 660mA Po : 1.3W (T1-T4)

Po : 0.6W (T5)

Po : 0.3W (T6)