

GPH1 & GPH2 Alarm Horn - Buzzer

The GPH series are low profile, high output, 105dB(A) alarm horns designed as a maintenance free, reliable alternative to solenoid type buzzers. Low current consumption and high SPL in a robust, fire retardant housing, ensures the GPH is suitable for all general signalling applications.

The GPH1 is a surface mount version with back box, the GPH2 is a flush mount variant for use in panel mount applications or for use with standard 4" back boxes

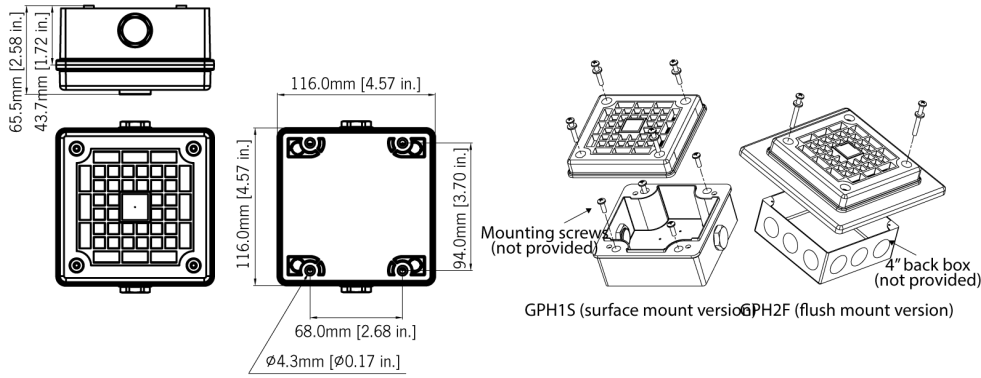
Features

- Automatic synchronisation on multi-sounder system.
- Continuously rated.
- Stainless steel fixings.
- Duplicate cable terminations (in & out for daisy-chain installations).

Approvals

- UL & cULs approved: General signalling use.





Specification

Nominal output:	105dB(A) @ 1m +/- 3dB [96dB(A) @ 10ft/3m]
No. of tones:	3
Volume control:	On board potentiometer
Voltages DC:	24V dc (10-30V dc) Reverse polarity diode protection on DC units.
Voltages AC:	115V ac; 230V ac
Ingress protection:	GPH1: IP66 (UL Type 4/4X/13) GPH2: IP54 (UL Type 13/3R)
Housing material:	High impact UL94 V0 (f1) PC
Colour:	Grey (RAL7038)
Cable entries:	2 x M20 clearance
Terminals:	22 - 12AWG (0.5-3mm ²)
Operating temp:	-25 to +55°C [-13° to +131°F]
Storage temp:	-40 to +70°C [-40° to +158°F]
Relative humidity:	90% at 20°C [68°F]
Weight:	0.35kg/0.77lbs
*SPL data +/-3dB(A). Measured at optimum voltage	

Part Codes

Version Part code:

GPH1S surface mount:

24V dc/ac GPH1SEDC24G

115V ac GPH1SEAC115G

230V ac GPH1SEAC230G

GPH2F flush mount:

24V dc/ac GPH2FEDC24G

115V ac GPH2FEAC115G

230V ac GPH2FEAC230G

Alarm Sounder

Version:		Voltage:	Current:
24V dc	□	10-30V dc	62mA
24V ac	50/60Hz	+/-10%	126mA
115V ac	50/60Hz	+/-10%	40mA
230V ac	50/60Hz	+/-10%	50mA

Stage 1 Frequency Description

Tone 1 800/1000Hz @ 7Hz

Tone 2 Buzzer Tone

Tone 3 1200/500Hz @ 1Hz - DIN / PFEER P.T.A.P.

Tone table

S 1 Description

T 1 800/1000Hz @ 7Hz Sweeping

T 2 Simulated buzzer sound

T 3 1200/500Hz @ 1Hz - DIN / PFEER P.T.A.P.