

B450TLA LED Traffic Light

The B450 series of traffic light beacons are available in single E27 filament lamp, dual E14 filament lamp or high output L.E.D array versions.

The Spectra family of visual and audible signals are optimised solutions for all general applications: traffic management, access control, status indication and process monitoring safety warning. Environments include manufacturing, warehousing, aviation hangars, perimeters and tunnels.

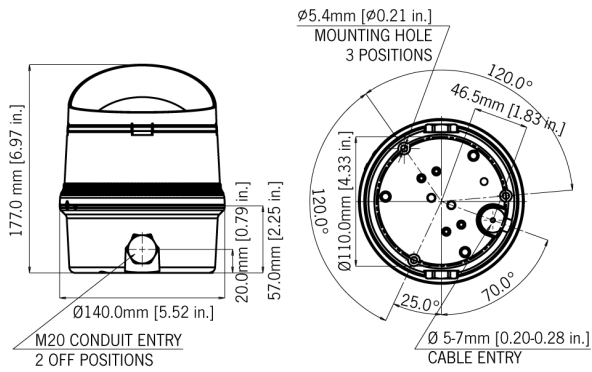
Features

- Bayonet fixing lens.
- Anti-tamper locking screw.
- Stainless steel fixings.
- Unit is supplied with a clear prismatic lens to optimise visibility in applications with high ambient light levels.

Approvals

- GOST-R certificate: POCC G.B.JB05.H00144.





Specification

Light source:	High output L.E.D.
Light output:	24 x L.E.D. array
Function:	Permanent
L.E.D. colours:	Amber, Blue, Green, Red & White
Peak/Effective Intensity cd:	89 cd* - measured ref. to I.E.S.
Lens type:	Prismatic
Mounting:	Surface mount (Wall mount bracket available)
Entries:	1 x 5-7mm push through grommet 2 x M20 cable entry
Dimensions:	ø140 x 177mm
Ingress protection:	IP65
Housing material:	High impact UL94 V0 (f1) PC
Terminals:	0.5 to 4.0mm ²
Operating temp:	-25 to +50°C [-13° to +122°F]
Storage temp:	-40 to +70°C [-40° to 158°F]
Relative humidity:	90% at 20°C [68°F]

*Candela measurements representative of performance with clear lens at optimum voltage.

Part Codes

Version:	Part code:
10-30V dc	B450TLA030B/[x]
90-230V ac 50/60Hz	B450TLA230B/[x]

[x] = Lens colour: A: Amber
B: Blue
G: Green
R: Red
W: White

Note: B450TLA units are supplied with 'clear' lenses to maximise the light output in environments with high ambient light levels.

Mounting brackets:

MB-B450T-S	Mounting bracket kit for a single B450 type unit.
MB-B450T-M	Mounting bracket kit for linked multiple B450 type units.

Note: Multiple unit connector is supplied with each product.

Current Consumption

Version:		Current mA:
10-30V dc		175mA
90-230V ac	50/60Hz	15-40mA