

# B400STR Xenon Strobe Beacon

The B400 series comprises Xenon strobe beacons, permanent filament bulb or halogen beacon, blinking filament bulb or halogen beacon, rotating halogen beacon and a multi-function L.E.D. array beacon.

The surface mount base can also be supplied with a right angle bracket or with a pole mounted assembly.

The B400STR Xenon beacon features an automatically synchronised flash rate of 1Hz (60 flashes per minute) as standard and also have user selectable 1.5Hz (90 flashes per minute) and double-strike flash rates.

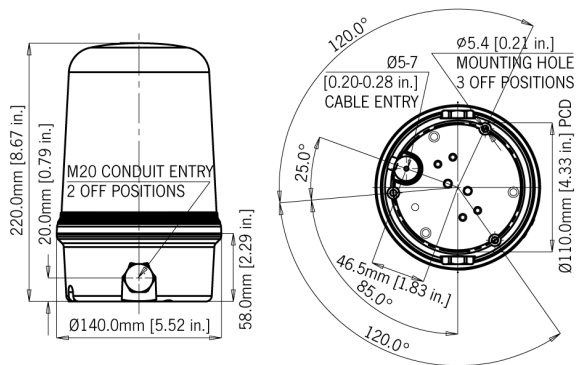
## Features

- Bayonet fixing lens.
- Anti-tamper locking screw.
- Stainless steel fixings.

## Approvals

- GOST-R certificate: POCC GB.JB05.H00144.





## Specification

Light source:	Xenon Strobe
Energy:	15 Joules (15Ws)
Flash rate:	1Hz (60 fpm)
	Optional 1.5Hz or double strike
Synchronisation:	1Hz flash rate automatically synchronised
Peak Candela:	1,500,000 cd - calculated from energy (J)
Effective Intensity cd:	750 cd - calculated from energy (J)
Peak Candela:	94,790 cd* - measured ref. to I.E.S.
Effective Intensity cd:	500 cd* - measured ref. to I.E.S.
Lens colours:	Amber, Blue, Clear, Green, Red & Yellow
Lens type:	Prismatic (standard) or plain
Mounting:	Surface mount (right angle or pole mount accessories available)
Entries:	1 x 5-7mm push through grommet 2 x M20 cable entry
Dimensions:	ø140 x 220mm
Ingress protection:	IP65
Housing material:	High impact UL94 V0 (f1) PC
Lens material:	High impact UL94 V0 (f1) PC
Terminals:	1.5 mm <sup>2</sup> flying lead assembly
Operating temp:	-25 to +50°C [-13° to +122°F]
Storage temp:	-40 to +70°C [-40° to +158°F]
Relative humidity:	90% at 20°C [68°F]
Weight:	535g/1.17lbs
*Candela measurements representative of performance with clear lens at optimum voltage.	

## Part Codes

Version:		Part code:
24V dc/ac	15 Joules	B400STRO24B/[x]
48V dc/ac	15 Joules	B400STRO48B/[x]
115V ac	15 Joules	B400STR115B/[x]
230V ac	15 Joules	B400STR230B/[x]
[x] = Lens colour: A: Amber B: Blue C: Clear G: Green R: Red Y: Yellow		

## Current Consumption

Version:		Current:
24V dc/ac	□	870mA
48V dc/ac		480mA
115V ac	50/60Hz	400mA
230V ac	50/60Hz	225mA