

# AB112STR Alarm Sounder & Xenon Strobe

The AB112STR combines a high output 119dB(A) alarm sounder with a powerful 5J Xenon strobe beacon.

The beacon and sounder can be operated from the same power source or controlled individually. The AB112STR Xenon beacon component features an automatically synchronised flash rate of 1Hz (60 flashes per minute) as standard. The DC voltage versions also have user selectable 1.5Hz (90 flashes per minute) and double-strike flash rates. The double strike flash rate can be remotely activated via a third wire (as can alternative alarm tones on the horn sounder) enabling a audible and visual communication of a two stage alarm condition.

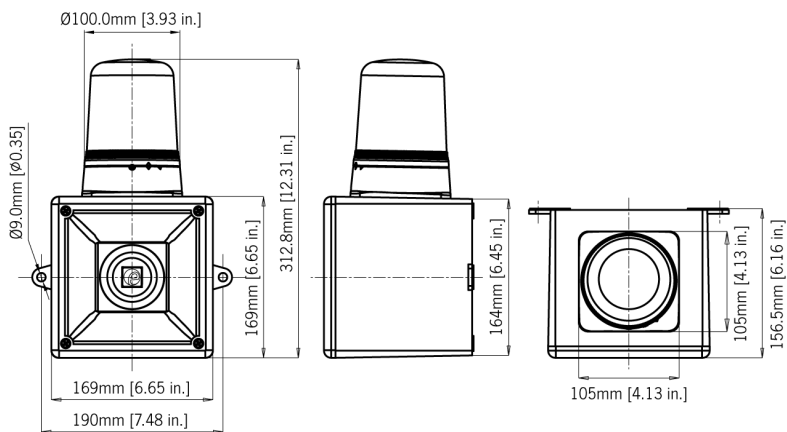
## Features

- Automatic synchronisation on multi-sounder system.
- Continuously rated.
- Stainless steel fixings.
- Unit can be mounted using external lugs or internal BESA compatible fixing positions.
- Duplicate cable terminations (in & out for daisy-chain installations).
- Available with synchronised flash.
- Available with multi-frequency function.
- Tropicalisation available on request.
- Available with custom tone configurations and frequencies.
- 'Programmable' version available:
  - 45 alarm tones
  - 4 remotely selectable stages
  - Any tone can be assigned to any stage
  - User configurable continuous frequency tone

## Approvals

- Alarm sounder (A112N): VdS approved to EN54-3 (CPD 89/106/EEC).





## Specification

### Sounder:

Maximum output:	119dB(A) @ 1 metre [110dB(A) @ 10ft/3m]
Nominal output:	112dB(A) @ 1m +/- 3dB - Tone 2 [103dB(A) @ 10ft/3m]
No. of tones:	45 (UKOOA / PFEER compliant)
No. of stages:	Alarm horn: 3, Xenon Beacon (DC only): 2
	Double strike pattern can be remotely switched
Volume control:	Max. 112dB(A); Min. 103dB(A) - Tone 2
Effective range:	125m/410ft @ 1KHz

### Beacon:

Energy:	5 Joules (5Ws)
Flash rate:	1Hz (60 fpm)
	DC units: Optionally 1.5Hz & double strike
Synchronisation:	1Hz flash rate automatically synchronised
Peak Candela:	500,000 cd - calculated from energy (J)
Effective Intensity cd:	250 cd - calculated from energy (J)
Peak Candela:	49,788 cd* - measured ref. to I.E.S.
Effective Intensity cd:	125 cd* - measured ref. to I.E.S.
Lens colours:	Amber, Blue, Clear, Green, Red & Yellow
Tube life:	Emissions are reduced to 70% after 8 million flashes

### General:

Voltages DC:	24V dc (10-30V dc); 48V dc (35-60V dc)
Voltages AC:	115V ac; 230V ac
Ingress protection:	IP65
Housing material:	High impact UL94 V0 & 5VA FR ABS
Lens material:	UV stable PC UL94 V0 FR Bayonet lens fixing, Anti-tamper locking screw.
Colour:	Red (RAL3000)
Cable entries:	2 x M20 clearance gland entries in side & back
Terminals:	0.5 to 4.0mm <sup>2</sup> cables.
Operating temperature:	-25 to +55°C [-13° to +131°F]
Storage temperature:	-40 to +70°C [-40° to +158°F]
Relative humidity:	00% at 20°C [68°F]

## Part Codes

### Version:

12V dc	AB112STRDC12R/[y]
24V dc	AB112STRDC24R/[y]
48V dc	AB112STRDC48R/[y]
115V ac	AB112STRAC115R/[y]
230V ac	AB112STRAC230R/[y]
24V ac	AB112STRAC24R/[y]

### Part code:

[y] = Lens colour: A: Amber B: Blue C: Clear  
G: Green R: Red Y: Yellow

Suffix part number with 'P' for programmable, 4 stage, 45 tone version.

## Alarm Sounder

Version:		Voltage range:	Current mA:
24V dc	□	10-30V dc	200mA*
48V dc	□	35-60V dc	120mA*
115V ac	50/60Hz	+/-10%	100mA
230V ac	50/60Hz	+/-10%	60mA
24V ac	50/60Hz	+/-10%	500mA

□\* current at nominal voltage on Tone 2

## Xenon Beacon

Version:		Voltage range:	Current mA:
12V dc		10-14V dc	500mA
24V dc		20-28V dc	250mA
48V dc		42-54V dc	175mA
115V ac	50/60Hz	+/-10%	70mA
230V ac	50/60Hz	+/-10%	35mA
24V ac	50/60Hz	+/-10%	300mA

## Tone table

<b>S 1</b>	<b>Description</b>	<b>S 2</b>	<b>S 3</b>	<b>S 1</b>	<b>Description</b>	<b>S 2</b>	<b>S 3</b>
T 1	340 Hz Continuous	T 2	T 5	T 33	745Hz @ 1Hz Intermittent	T 2	T 5
T 2	800/1000Hz @ 0.25 sec Alternating	T 17	T 5	T 34	1000 & 2000Hz @ 0.5 sec Alternating - Singapore	T 38	T 45
T 3	500/1200Hz @ 0.3Hz 0.5 sec Slow Whoop	T 2	T 5	T 35	420Hz @ 0.625 sec Australian Alert	T 36	T 5
T 4	800/1000Hz @ 1Hz Sweeping	T 6	T 5	T 36	500-1200Hz 3.75sec /0.25sec. Australian Evac.	T 35	T 5
T 5	2400Hz Continuous	T 3	T 20	T 37	1000Hz Continuous - PFEER Toxic Gas	T 9	T 45
T 6	2400/2900Hz @ 7Hz Sweeping	T 7	T 5	T 38	2000Hz Continuous	T 34	T 45
T 7	2400/2900Hz @ 1Hz Sweeping	T 10	T 5	T 39	800Hz 0.25sec on, 1 sec off Intermittent	T 23	T 17
T 8	500/1200/500Hz @ 0.3Hz Sweeping	T 2	T 5	T 40	544Hz (100mS)/440Hz (400mS) - NF S 32-001	T 31	T 27
T 9	1200/500Hz @ 1Hz - DIN / PFEER P.T.A.P.	T 15	T 2	T 41	Motor Siren - slow rise to 1200 Hz	T 2	T 5
T 10	2400/2900Hz @ 2Hz Alternating	T 7	T 5	T 42	Motor Siren - slow rise to 800 Hz	T 2	T 5
T 11	1000Hz @ 1Hz Intermittent	T 2	T 5	T 43	1200 Hz Continuous	T 2	T 5
T 12	800/1000Hz @ 0.875Hz Alternating	T 4	T 5	T 44	Motor Siren - slow rise to 2400 Hz	T 2	T 5
T 13	2400Hz @ 1Hz Intermittent	T 15	T 5	T 45	1KHz 1s on, 1s off Intermittent - PFEER Gen. ...	T 38	T 34
T 14	800Hz 0.25sec on, 1 sec off Intermittent	T 4	T 5				
T 15	800Hz Continuous	T 2	T 5				
T 16	660Hz 150mS on, 150mS off Intermittent	T 18	T 5				
T 17	544Hz (100mS)/440Hz (400mS) - NF S 32-001	T 2	T 27				
T 18	660Hz 1.8sec on, 1.8sec off Intermittent	T 2	T 5				
T 19	1.4KHz-1.6KHz 1s, 1.6KHz-1.4KHz 0.5s -NFC48265	T 2	T 5				
T 20	660Hz Continuous	T 2	T 5				
T 21	554Hz/440Hz @ 1Hz Alternating	T 2	T 5				
T 22	544Hz @ 0.875 sec. Intermittent	T 2	T 5				
T 23	800Hz @ 2 Hz Intermittent	T 6	T 5				
T 24	800/1000Hz @ 50Hz Sweeping	T 29	T 5				
T 25	2400/2900Hz @ 50Hz Sweeping	T 29	T 5				
T 26	Bell	T 2	T 15				
T 27	554Hz Continuous	T 26	T 5				
T 28	440Hz Continuous	T 2	T 5				
T 29	800/1000Hz @ 7Hz Sweeping	T 7	T 5				
T 30	300Hz Continuous	T 2	T 5				
T 31	660/1200Hz @ 1Hz Sweeping	T 26	T 5				
T 32	Two T chime.	T 26	T 15				