

AB105RTH Alarm Sounder & Rotating Beacon

The AB105RTH combines a compact high output 112dB(A) alarm sounder with a powerful 25W halogen rotating beacon.

The beacon and sounder can be operated from the same power source or controlled individually.

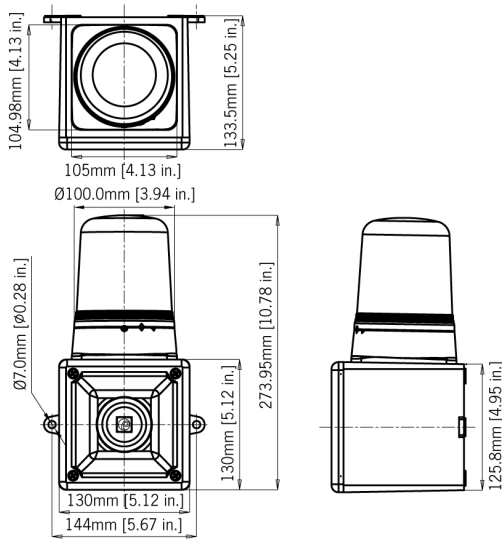
Features

- Automatic synchronisation on multi-sounder system.
- Continuously rated.
- Stainless steel fixings.
- Unit can be mounted using external lugs or internal BESA compatible fixing positions.
- Duplicate cable terminations (in & out for daisy-chain installations).
- Tropicalisation available on request.
- Available with custom tone configurations and frequencies.
- 'Programmable' version available:
 - 45 alarm tones
 - 4 remotely selectable stages
 - Any tone can be assigned to any stage
 - User configurable continuous frequency tone

Approvals

- Alarm sounder (A105N) VdS approved: EN54-3 (CPD 89/106/EEC).





Specification

Sounder:

| | |
|------------------|---|
| Maximum output: | 112dB(A) @ 1 metre [103dB(A) @ 10ft/3m] |
| Nominal output: | 105dB(A) @ 1m +/- 3dB - Tone 2 [96dB(A) @ 10ft/3m] |
| No. of tones: | 32 (UKOOA / PFEER compliant) |
| No. of stages: | 3 |
| Volume control: | Max. 105dB(A); Min. 96dB(A) - Tone 2 |
| Effective range: | 60m/197ft @ 1KHz |
| Stage switching: | Negative Reverse polarity stage switching on DC units. |

Beacon:

| | |
|---------------|---|
| Light source: | Halogen Bulb G6,35 / GY6,35. |
| Light output: | max 25W |
| Rotation: | 180 RPM (+/-30RPM). |
| Peak Candela: | 821 cd |
| Candela: | 125 cd* (effective intensity) |
| Lens colours: | Amber, Blue, Clear, Green, Red & Yellow |
| Drive life: | > 5,000 hrs |

General:

| | |
|---------------------|--|
| Voltages DC: | 12V dc; 24V dc |
| Voltages AC: | 115V ac; 230V ac |
| Ingress protection: | IP65 |
| Housing material: | High impact UL94 V0 & 5VA FR ABS |
| Lens material: | UV stable PC UL94 V0 FR Bayonet lens fixing, Anti-tamper locking screw. |
| Colour: | Red (RAL3000) and grey (RAL7038) |
| Cable entries: | 2 x M20 clearance gland entries in side & back |
| Terminals: | 0.5 to 1.5mm ² cables. |
| Operating temp: | -25 to +55°C [-13° to +131°F] |
| Storage temp: | -40 to +70°C [-40° to +158°F] |
| Relative humidity: | 90% at 20°C [68°F] |
| Weight : | DC: 1.00kg/2.2lbs AC:1.25kg/2.75lbs |

Candela measurements representative of performance with clear lens at optimum voltage.

SPL data +/-3dB(A). Measured at optimum voltage.

Part Codes

| Version: | Part code: | Wattage: |
|----------|----------------------|----------|
| 12V dc | AB105RTHDC12[x]/[y] | 20W |
| 24V dc | AB105RTHDC24[x]/[y] | 20W |
| 115V ac | AB105RTHAC115[x]/[y] | 25W |
| 230V ac | AB105RTHAC230[x]/[y] | 25W |

[x] = Housing colour: G: Grey R: Red
[y] = Lens colour: A: Amber B: Blue C: Clear G: Green R: Red Y: Yellow

Suffix part number with 'P' for programmable, 4 stage, 45 tone version.

Alarm Sounder

| Version: | Voltage: | Current: |
|-----------|----------------|----------|
| 12/24V dc | 10-30V dc | 25mA* |
| 115V ac | 50/60Hz +/-10% | 20mA |
| 230V ac | 50/60Hz +/-10% | 15mA |

* current at nominal voltage on Tone 2

Rotating Beacon

| Version: | Wattage: | Current m: |
|----------|-------------|------------|
| 12V dc | 20W | 1.72A |
| 24V dc | 20W | 910mA |
| 115V ac | 50/60Hz 25W | 216mA |
| 230V ac | 50/60Hz 25W | 117mA |

Tone table

| S 1 | Description | S 2 | S 3 |
|------------|---|------------|------------|
| T 1 | 340 Hz Continuous | T 2 | T 5 |
| T 2 | 800/1000Hz @ 0.25 sec Alternating | T 17 | T 5 |
| T 3 | 500/1200Hz @ 0.3Hz 0.5 sec Slow Whoop | T 2 | T 5 |
| T 4 | 800/1000Hz @ 1Hz Sweeping | T 6 | T 5 |
| T 5 | 2400Hz Continuous | T 3 | T 20 |
| T 6 | 2400/2900Hz @ 7Hz Sweeping | T 7 | T 5 |
| T 7 | 2400/2900Hz @ 1Hz Sweeping | T 10 | T 5 |
| T 8 | 500/1200/500Hz @ 0.3Hz Sweeping | T 2 | T 5 |
| T 9 | 1200/500Hz @ 1Hz - DIN / PFEER P.T.A.P. | T 15 | T 2 |
| T 10 | 2400/2900Hz @ 2Hz Alternating | T 7 | T 5 |
| T 11 | 1000Hz @ 1Hz Intermittent | T 2 | T 5 |
| T 12 | 800/1000Hz @ 0.875Hz Alternating | T 4 | T 5 |
| T 13 | 2400Hz @ 1Hz Intermittent | T 15 | T 5 |
| T 14 | 800Hz 0.25sec on, 1 sec off Intermittent | T 4 | T 5 |
| T 15 | 800Hz Continuous | T 2 | T 5 |
| T 16 | 660Hz 150mS on, 150mS off Intermittent | T 18 | T 5 |
| T 17 | 544Hz (100mS)/440Hz (400mS) - NF S 32-001 | T 2 | T 27 |
| T 18 | 660Hz 1.8sec on, 1.8sec off Intermittent | T 2 | T 5 |
| T 19 | 1.4KHz-1.6KHz 1s, 1.6KHz-1.4KHz 0.5s -NFC48-265 | T 2 | T 5 |
| T 20 | 660Hz Continuous | T 2 | T 5 |
| T 21 | 554Hz/440Hz @ 1Hz Alternating | T 2 | T 5 |
| T 22 | 544Hz @ 0.875 sec. Intermittent | T 2 | T 5 |
| T 23 | 800Hz @ 2Hz Intermittent | T 6 | T 5 |
| T 24 | 800/1000Hz @ 50Hz Sweeping | T 29 | T 5 |
| T 25 | 2400/2900Hz @ 50Hz Sweeping | T 29 | T 5 |
| T 26 | Bell | T 2 | T 15 |
| T 27 | 554Hz Continuous | T 26 | T 5 |
| T 28 | 440Hz Continuous | T 2 | T 5 |
| T 29 | 800/1000Hz @ 7Hz Sweeping | T 7 | T 5 |
| T 30 | 300Hz Continuous | T 2 | T 5 |
| T 31 | 660/1200Hz @ 1Hz Sweeping | T 26 | T 5 |
| T 32 | Two T chime. | T 26 | T 15 |